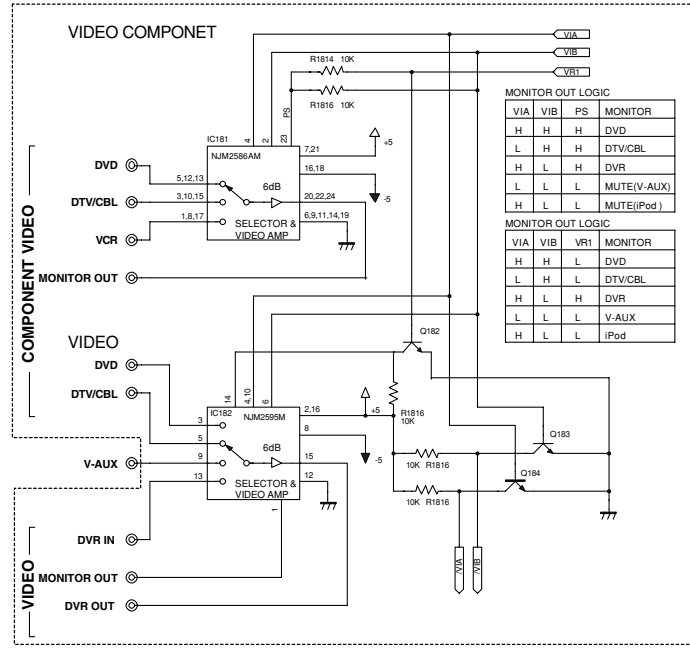


BLOCK DIAGRAMS

VIDEO, AUDIO and Power Supply Sections

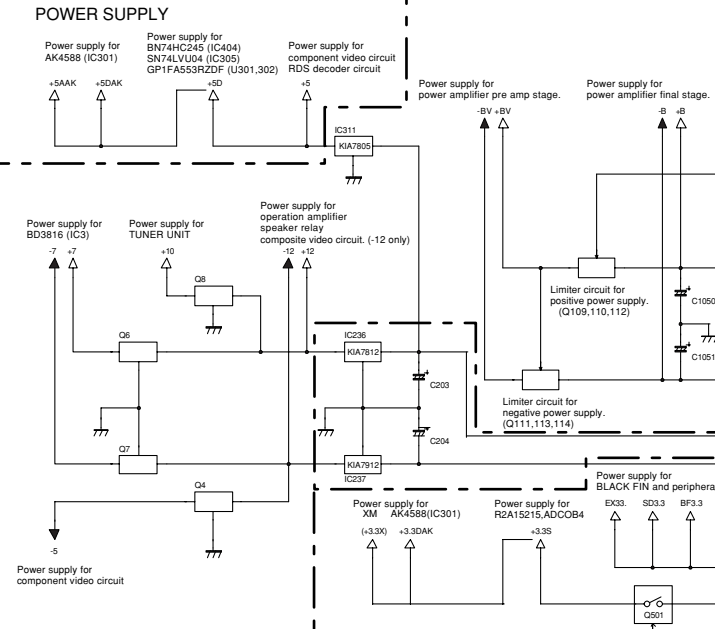
OPERATION

• See page 79, 80 → SCHEMATIC DIAGRAM



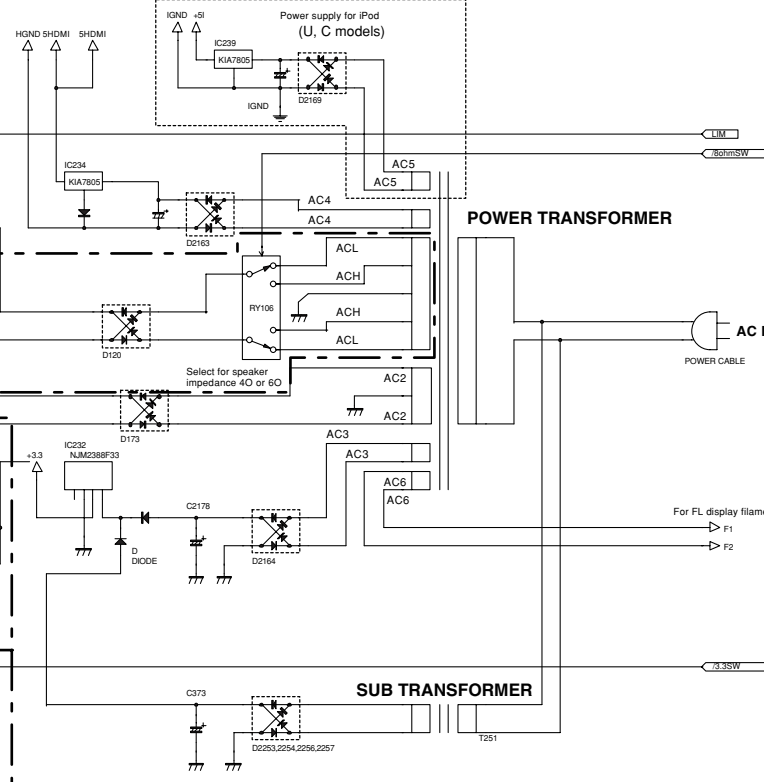
DSP

• See page 73-78 → SCHEMATIC DIAGRAM



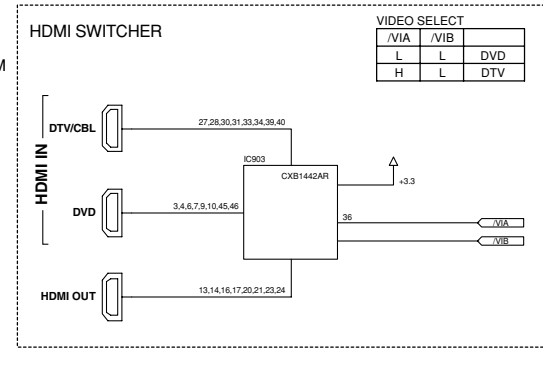
OPERATION

• See page 79, 80 → SCHEMATIC DIAGRAM



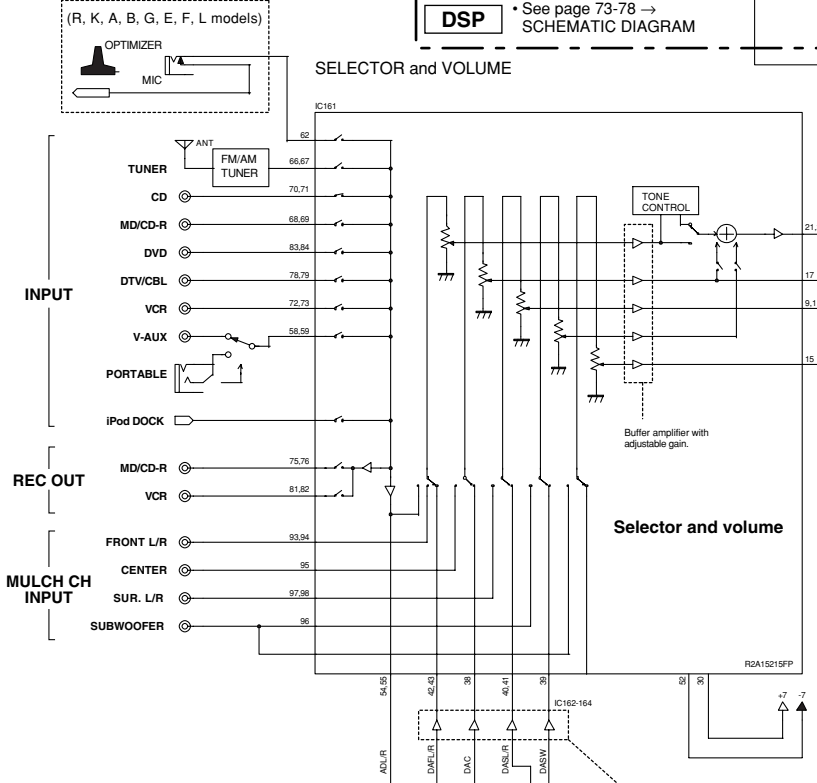
HDMI

• See page 83 → SCHEMATIC DIAGRAM



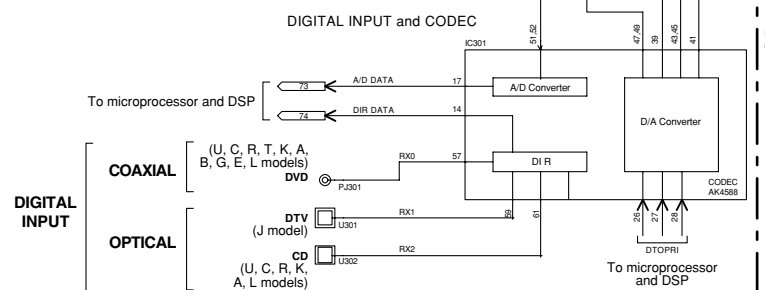
DSP

• See page 73-78 → SCHEMATIC DIAGRAM



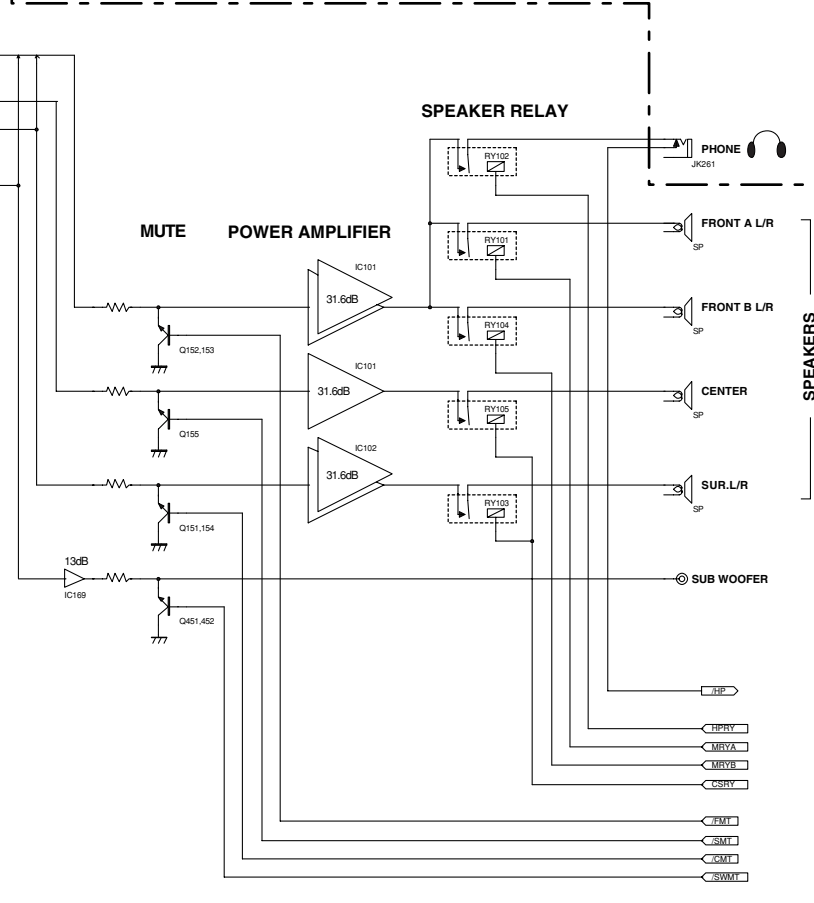
DSP

• See page 73-78 → SCHEMATIC DIAGRAM



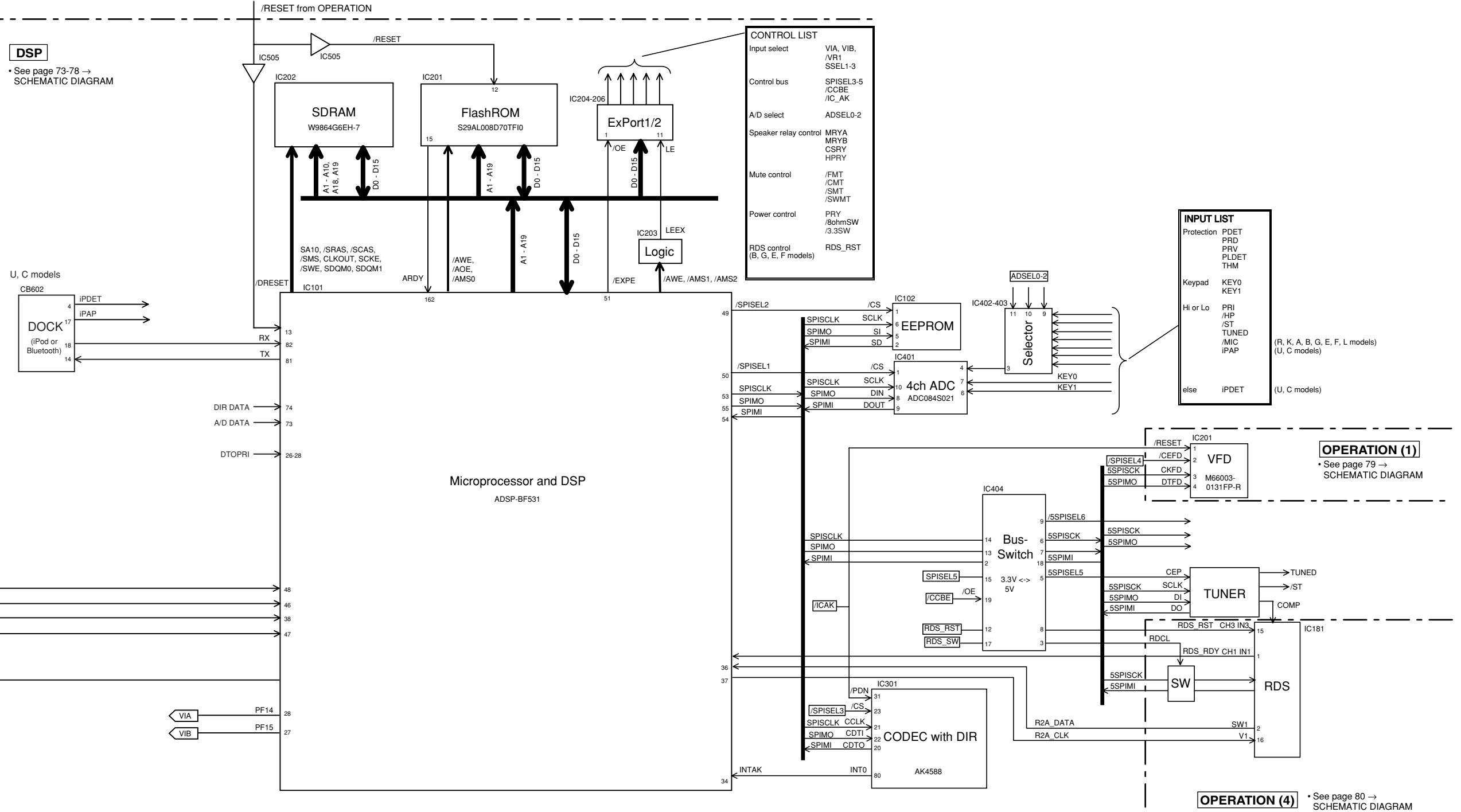
MAIN

• See page 81, 82 → SCHEMATIC DIAGRAM



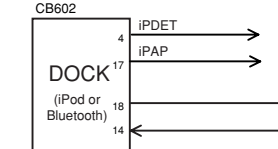
Control Sections

OPERATION • See page 79, 80 → SCHEMATIC DIAGRAM



DSP
• See page 73-78 → SCHEMATIC DIAGRAM

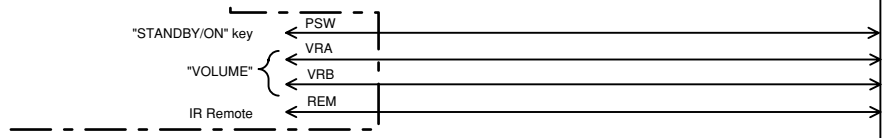
U, C models



CONTROL LIST	
Input select	VIA, VIB, /VR1, SSEL1-3
Control bus	SPISEL3-5, /CCBE, /IC_AK
A/D select	ADSEL0-2
Speaker relay control	MRYA, MRYB, CSRY, HPRY
Mute control	/FMT, /CMT, /SMT, /SWMT
Power control	PRY, /BohmSW, /3.3SW
RDS control (B, G, E, F models)	RDS_RST

INPUT LIST	
Protection	PDET, PRD, PRV, PLDET, THM
Keypad	KEY0, KEY1
Hi or Lo	PRI, /HP, /ST, TUNED, /MIC, IPAP
else	IPDET

OPERATION
• See page 79, 80 → SCHEMATIC DIAGRAM



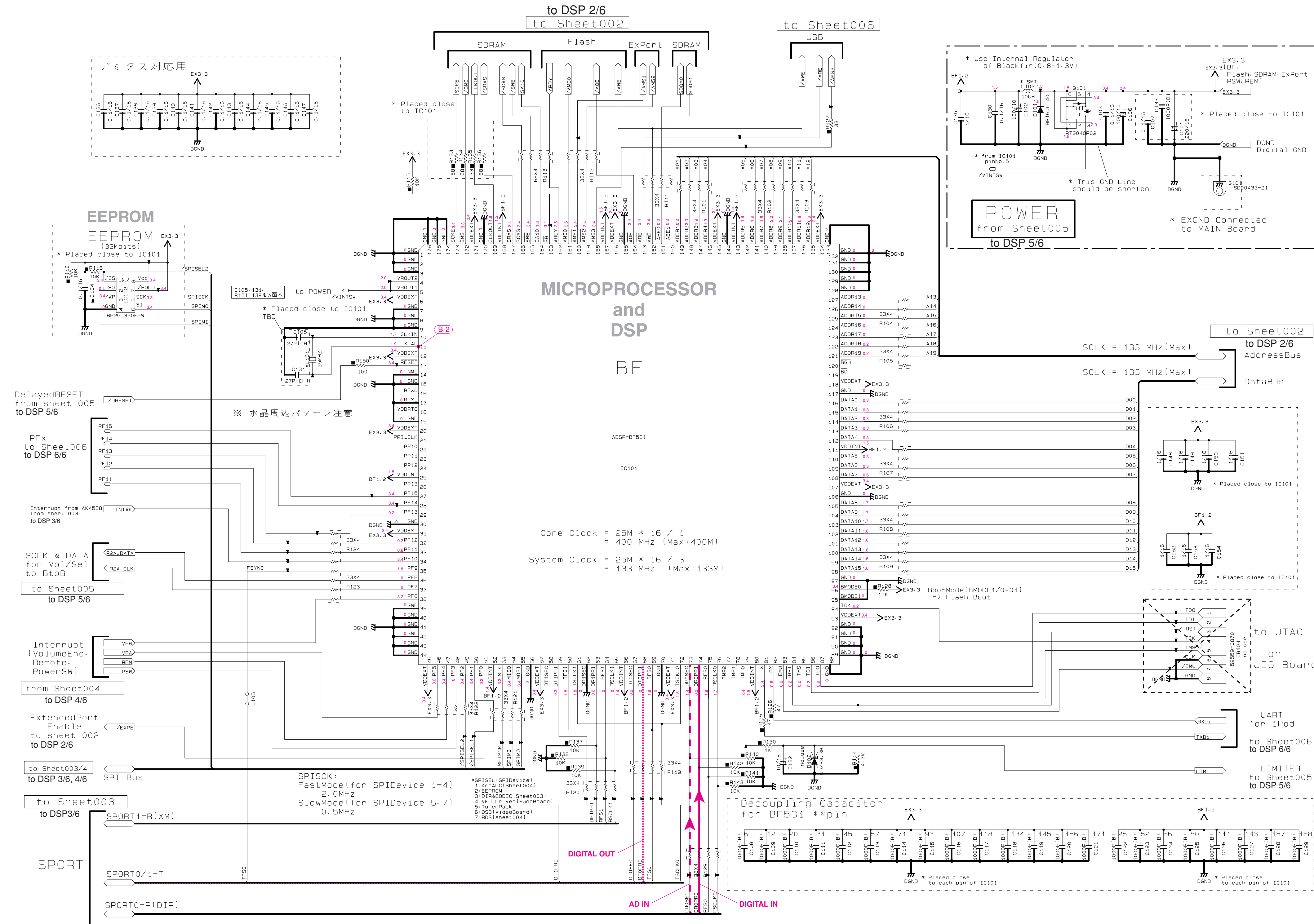
MAIN
• See page 81, 82 → SCHEMATIC DIAGRAM



OPERATION (1)
• See page 79 → SCHEMATIC DIAGRAM

OPERATION (4) • See page 80 → SCHEMATIC DIAGRAM

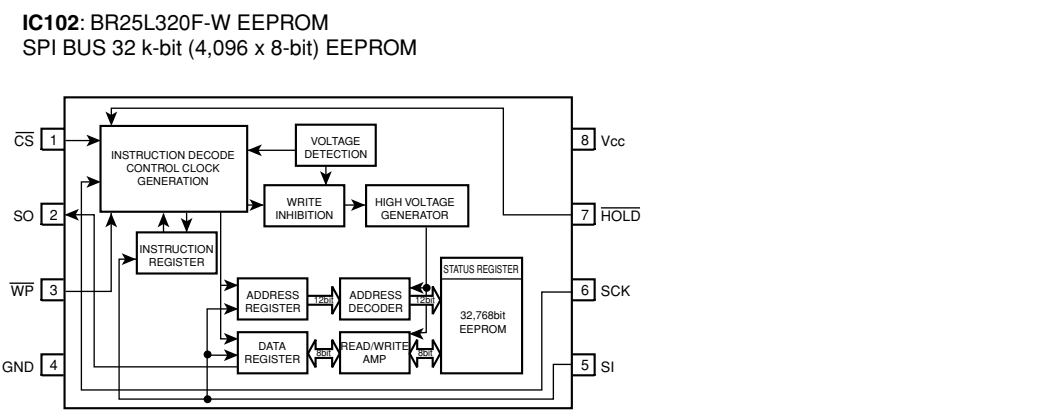
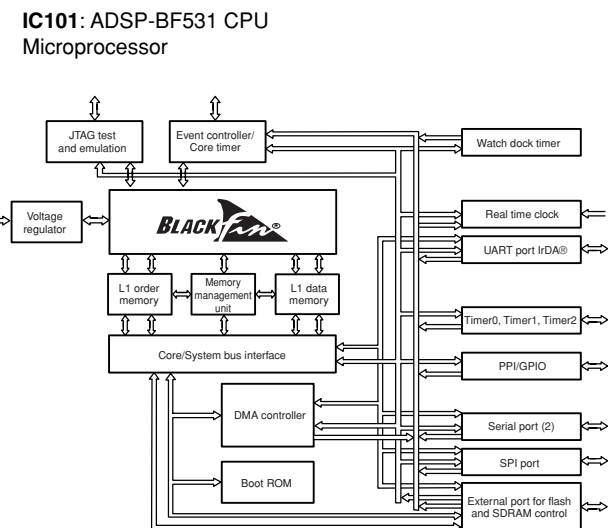
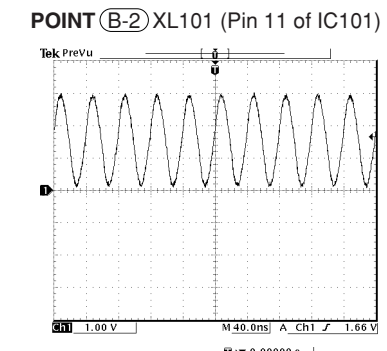
SCHEMATIC DIAGRAMS
DSP 1/6



REMARKS	PARTS NAME
NO MARK	CARBON FILM RESISTOR (P=5)
□	CARBON FILM RESISTOR (P=10)
△	METAL OXIDE FILM RESISTOR
▲	METAL FILM RESISTOR
⊠	METAL PLATE RESISTOR
⊞	FIRE PROOF CARBON FILM RESISTOR
⊞	CEMENT MOLDED RESISTOR
⊞	SEMI VARIABLE RESISTOR
■	CHIP RESISTOR

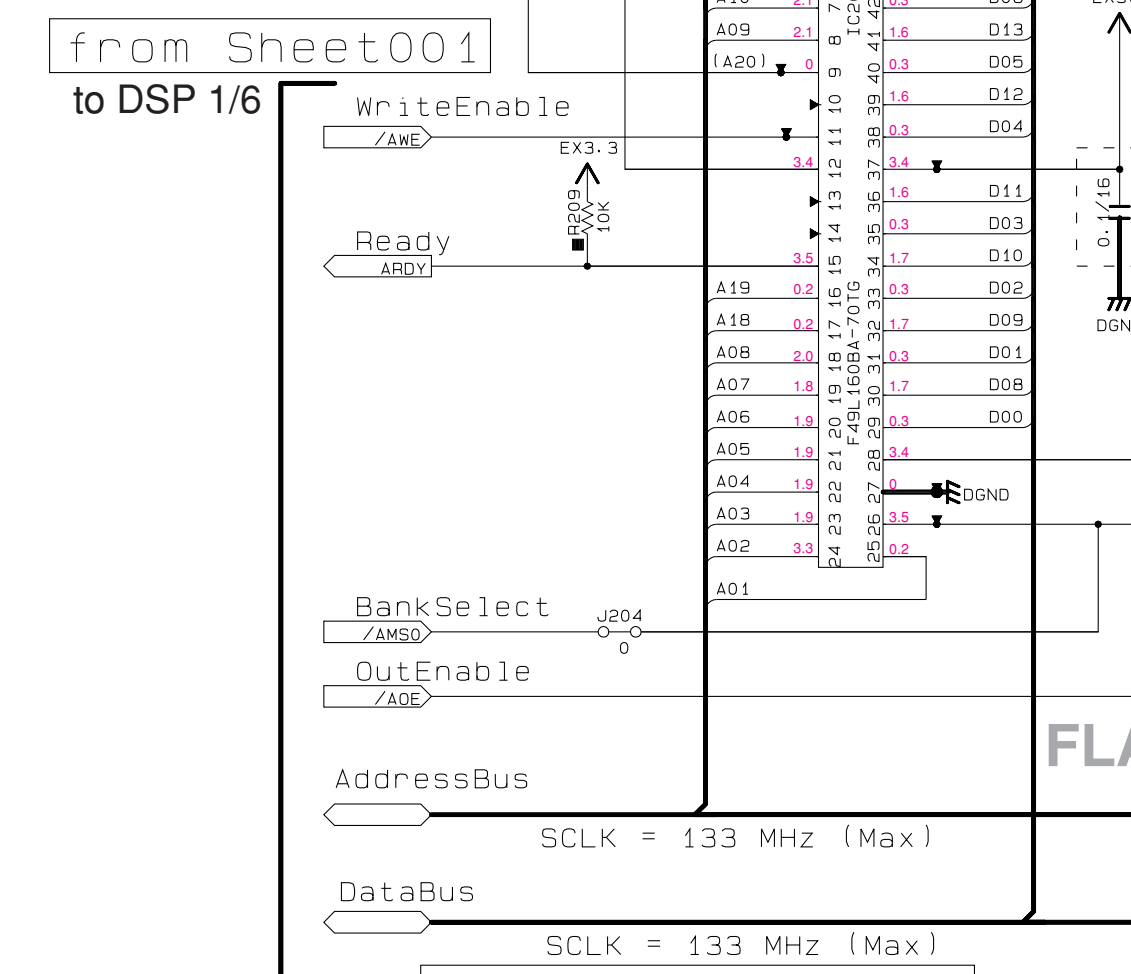
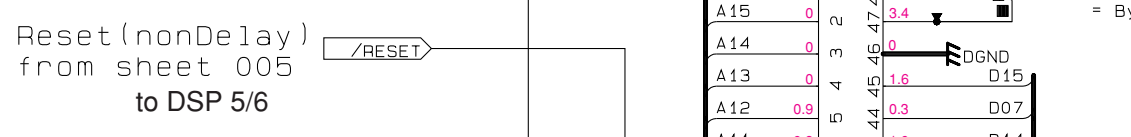
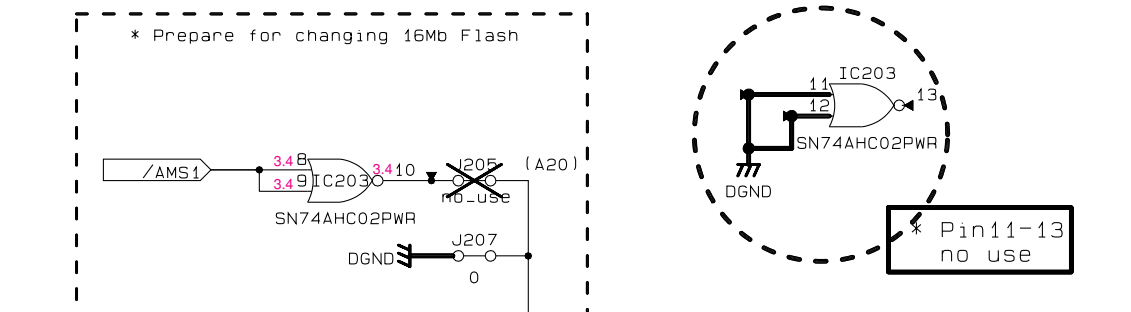
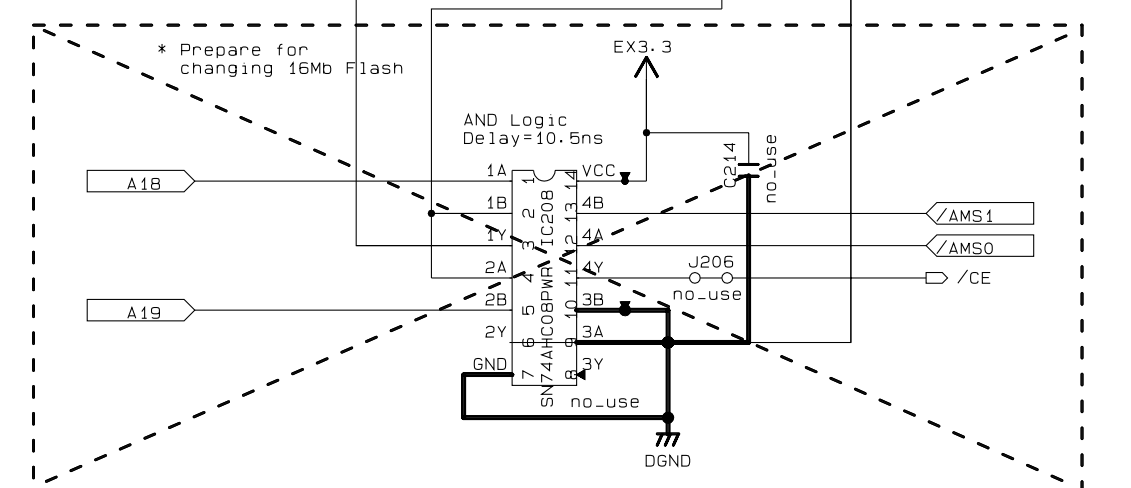
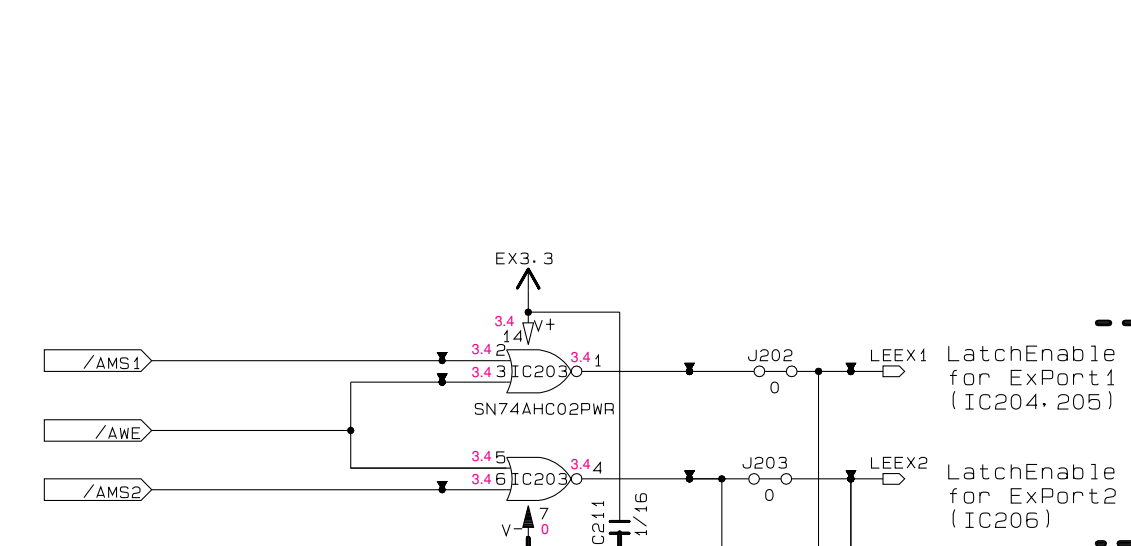
REMARKS	PARTS NAME
NO MARK	ELECTROLYTIC CAPACITOR
⊗	TANTALUM CAPACITOR
○	CERAMIC CAPACITOR
●	CERAMIC TUBULAR CAPACITOR
⊙	POLYESTER FILM CAPACITOR
⊚	POLYSTYRENE FILM CAPACITOR
⊛	MICA CAPACITOR
⊜	POLYPROPYLENE FILM CAPACITOR
⊝	SEMICONDUCTIVE CERAMIC CAPACITOR
⊞	POLYPHENYLENE SULFIDE FILM CAPACITOR

NOTICE (mode))
(J)..... JAPAN
(U)..... U.S.A
(C)..... CANADA
(R)..... GENERAL
(T)..... CHINA
(K)..... KOREA
(A)..... AUSTRALIA
(B)..... BRITISH
(G)..... EUROPE
(L)..... SINGAPORE
(E)..... SOUTH EUROPE
(V)..... TAIWAN
(F)..... RUSSIAN



* All voltages are measured with a 10MQ/V DC electronic voltmeter.
* Components having special characteristics are marked .! and must be replaced with parts having specifications equal to those originally installed.
* Schematic diagram is subject to change without notice.

DSP 2/6

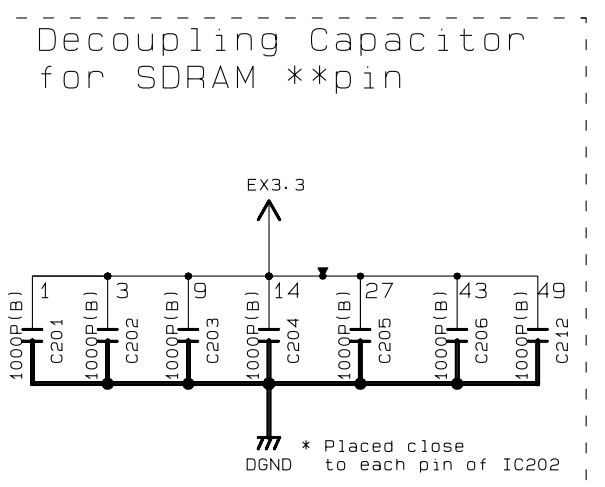
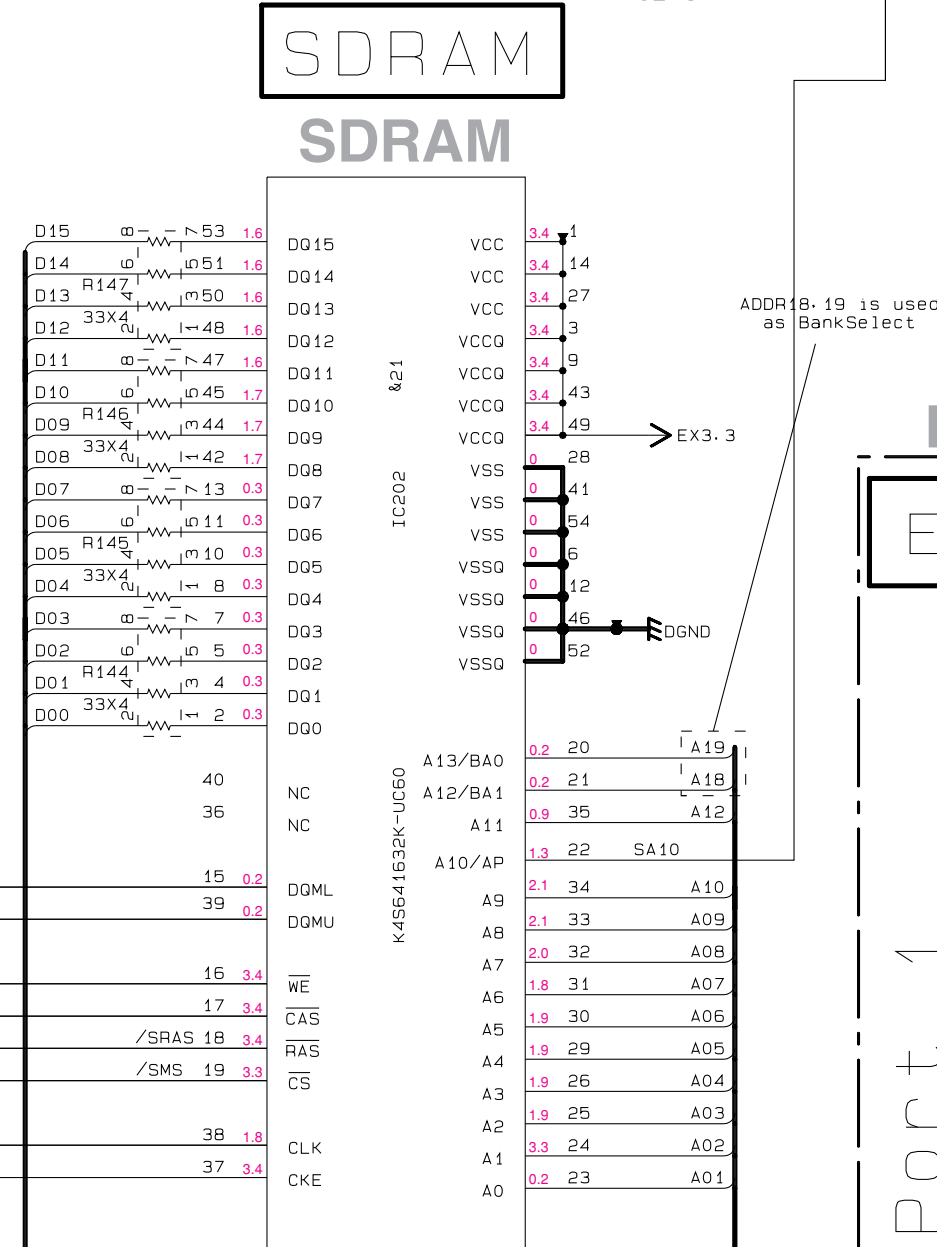


Asynchronous Memory Bank '0'

- Setup : ** Cycle (1-4)
- Read : ** Cycle (1-15)
- Write : ** Cycle (1-15)
- Hold : ** Cycle (0-3)
- Trans : ** Cycle (1-4)

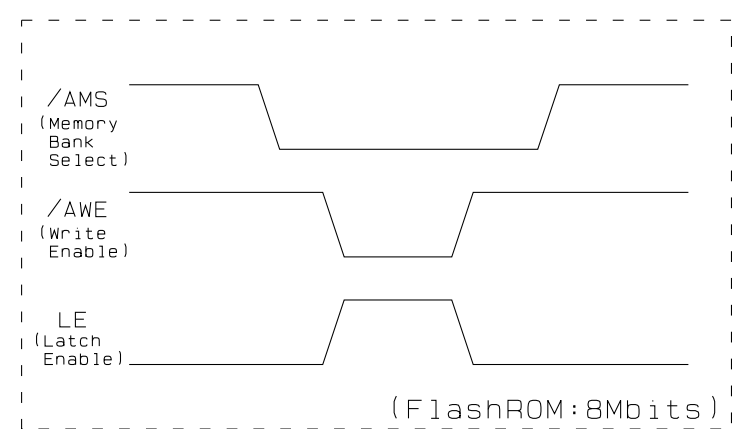
* If use 16Mb FlashROM
Setup = 3, Read = Write = 10 for FlashROM
Setup = 4, Write = 3 for Ex-Port

to DSP 1/6
from sheet 001



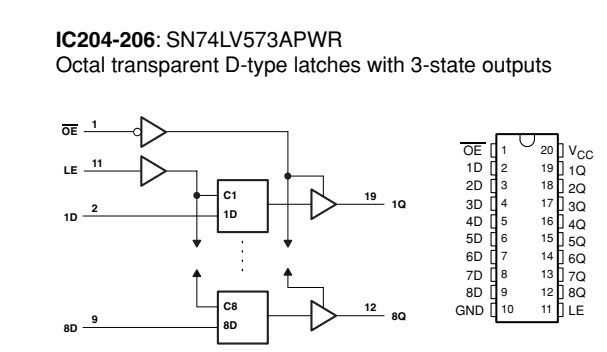
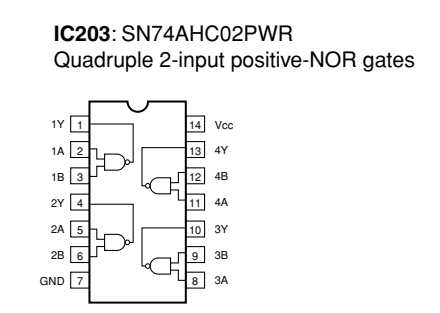
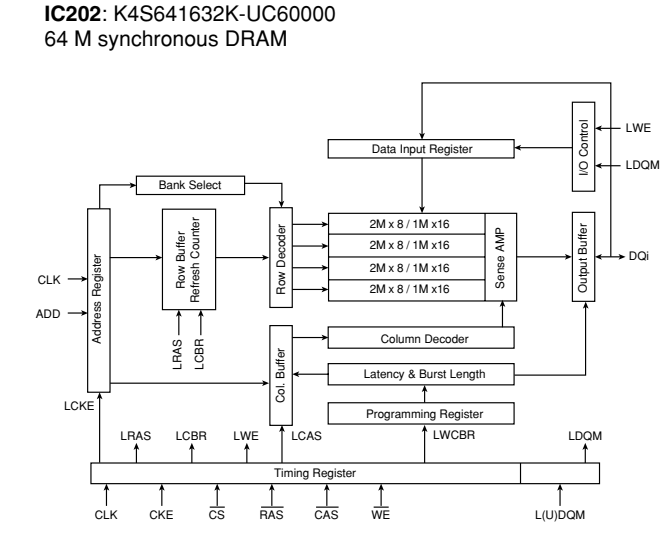
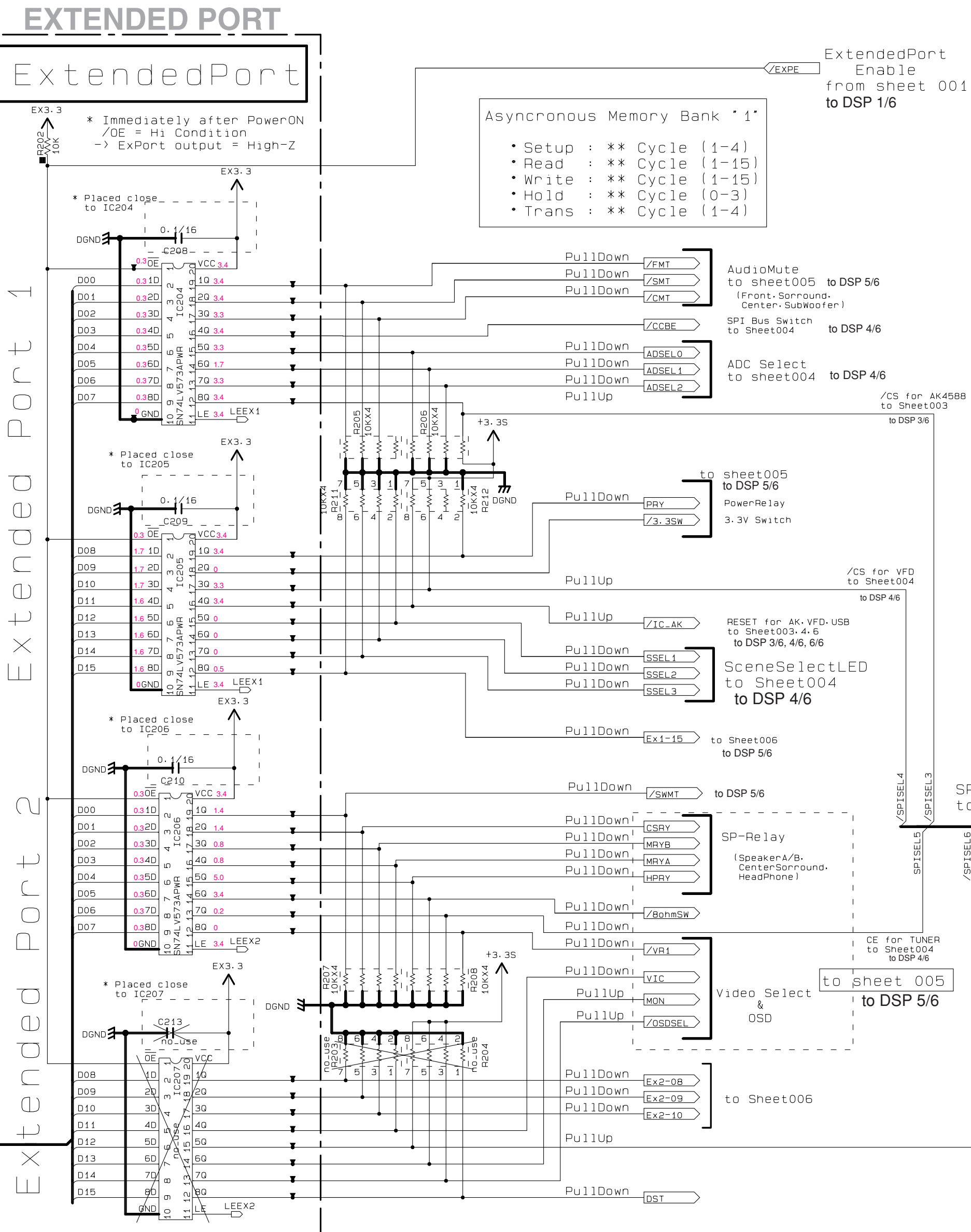
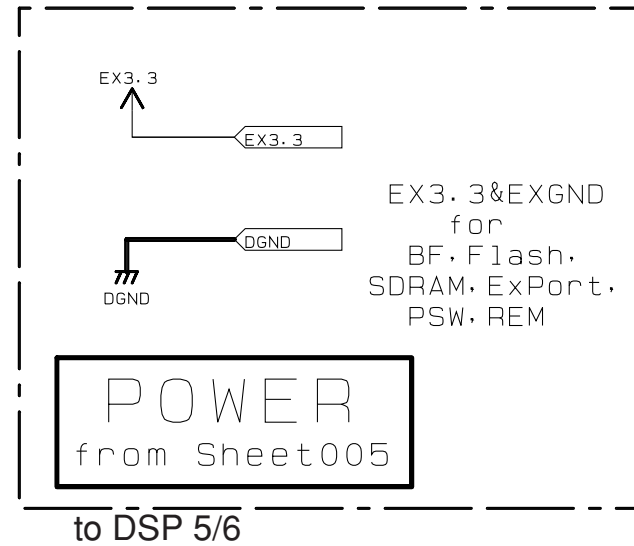
Asynchronous Memory Bank '2'

- Setup : ** Cycle (1-4)
- Read : ** Cycle (1-15)
- Write : ** Cycle (1-15)
- Hold : ** Cycle (0-3)
- Trans : ** Cycle (1-4)



Interchangeable Parts at Manufacture-Stage

Mark	Reference Parts Number	Parts Name
421	IC202	K45641632K-UC60000
		M12L64164A-5TG



RESISTOR

REMARKS	PARTS NAME
NO MARK	CARBON FILM RESISTOR (P=5)
□	CARBON FILM RESISTOR (P=10)
△	METAL OXIDE FILM RESISTOR
▲	METAL FILM RESISTOR
■	METAL PLATE RESISTOR
⊠	FIRE-PROOF CARBON FILM RESISTOR
⊞	CEMENT MOLDED RESISTOR
⊟	SEMI-VARIABLE RESISTOR
■	CHIP RESISTOR

CAPACITOR

REMARKS	PARTS NAME
NO MARK	ELECTROLYTIC CAPACITOR
⊗	TANTALUM CAPACITOR
⊙	CERAMIC CAPACITOR
⊚	CERAMIC TUBULAR CAPACITOR
⊕	POLYESTER FILM CAPACITOR
⊖	POLYSTYRENE FILM CAPACITOR
⊘	MICA CAPACITOR
⊙	POLYPROPYLENE FILM CAPACITOR
⊚	SEMICONDUCTIVE CERAMIC CAPACITOR
⊕	POLYPHENYLENE SULFIDE FILM CAPACITOR

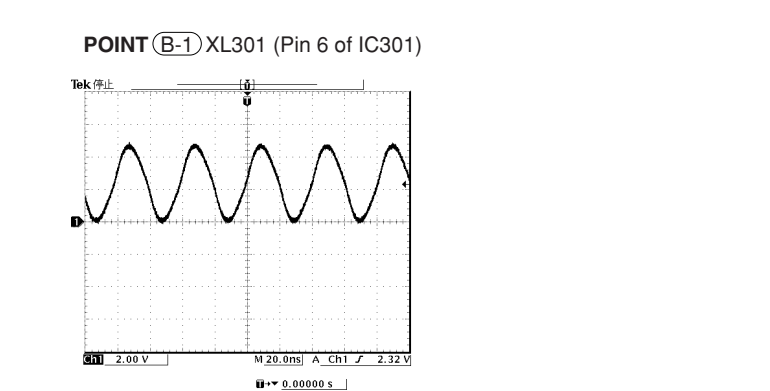
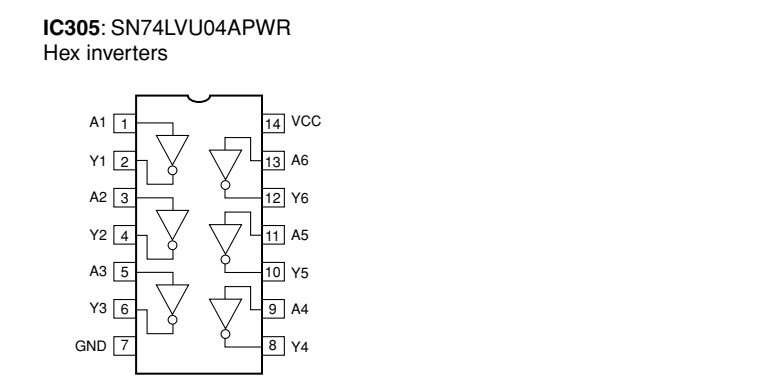
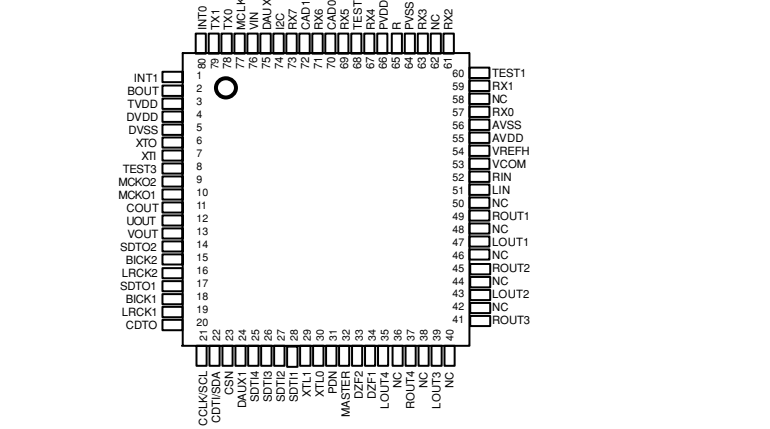
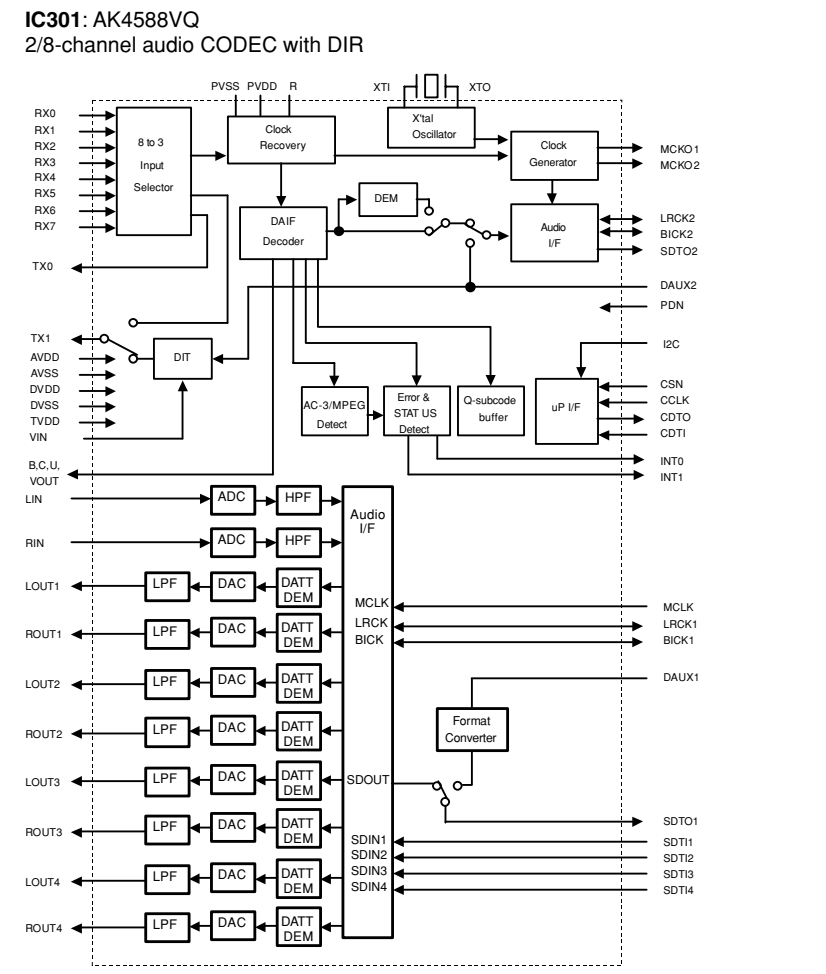
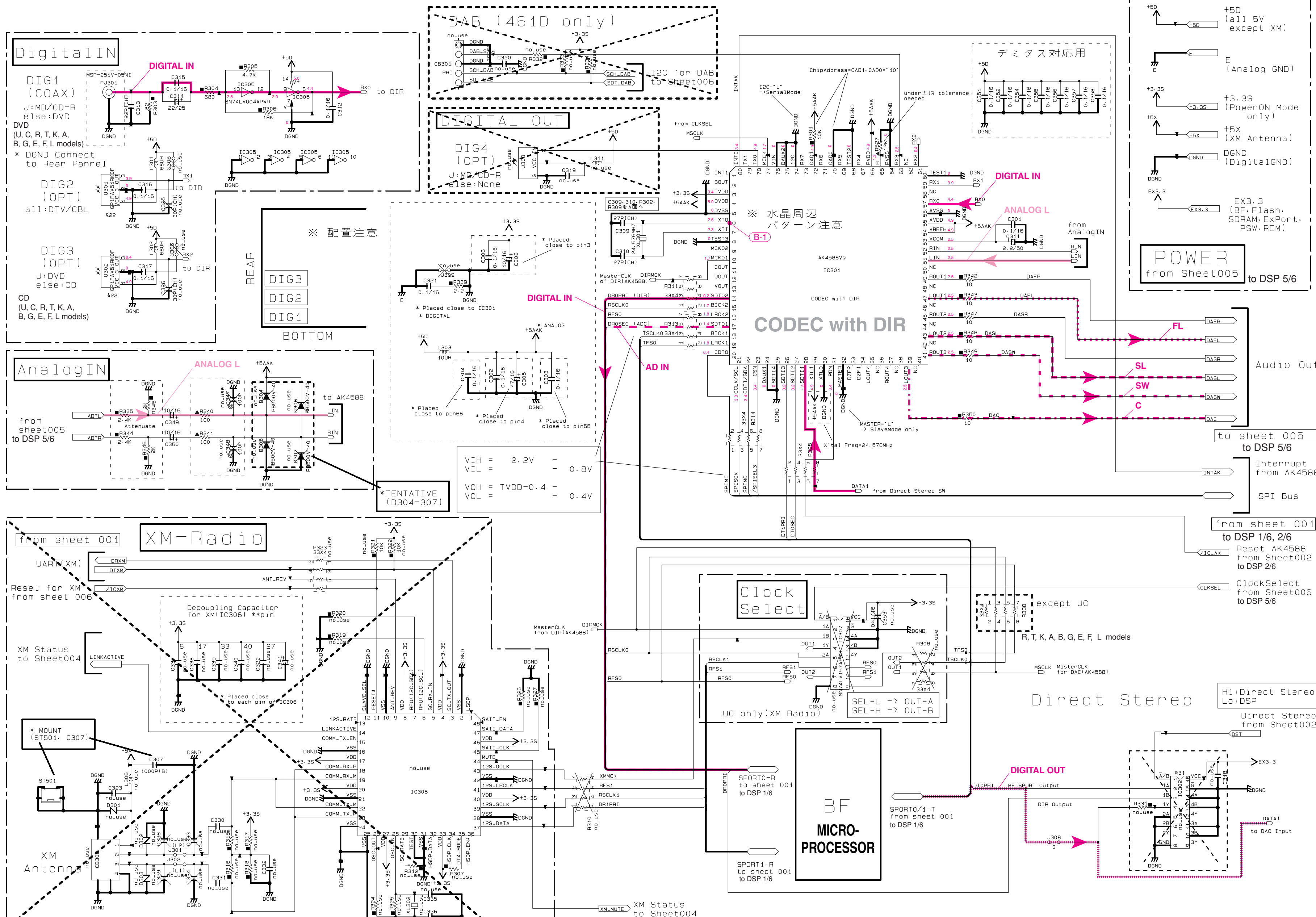
NOTICE (mode1)

(J)..... JAPAN
(U)..... U.S.A
(C)..... CANADA
(R)..... GENERAL
(T)..... CHINA
(K)..... KOREA
(A)..... AUSTRALIA
(B)..... BRITISH
(G)..... EUROPE
(L)..... SINGAPORE
(E)..... SOUTH EUROPE
(V)..... TAIWAN
(F)..... RUSSIAN

* All voltages are measured with a 10MΩ/V DC electronic voltmeter.
* Components having special characteristics are marked with a triangle and must be replaced with parts having specifications equal to those originally installed.
* Schematic diagram is subject to change without notice.

Interchangeable Parts at Manufacture-Stage

Mark	Reference Parts Number	Parts Name
422	U301-U302	JSR1165 GP1FAYS1RKF



RESISTOR

REMARKS	PARTS NAME
NO MARK	CARBON FILM RESISTOR (P=5)
□	CARBON FILM RESISTOR (P=10)
△	METAL OXIDE FILM RESISTOR
▲	METAL FILM RESISTOR
■	METAL PLATE RESISTOR
□	FIRE-PROOF CARBON FILM RESISTOR
■	CEMENT MOUNTED RESISTOR
□	SEMI-VARIABLE RESISTOR
■	CHIP RESISTOR

CAPACITOR

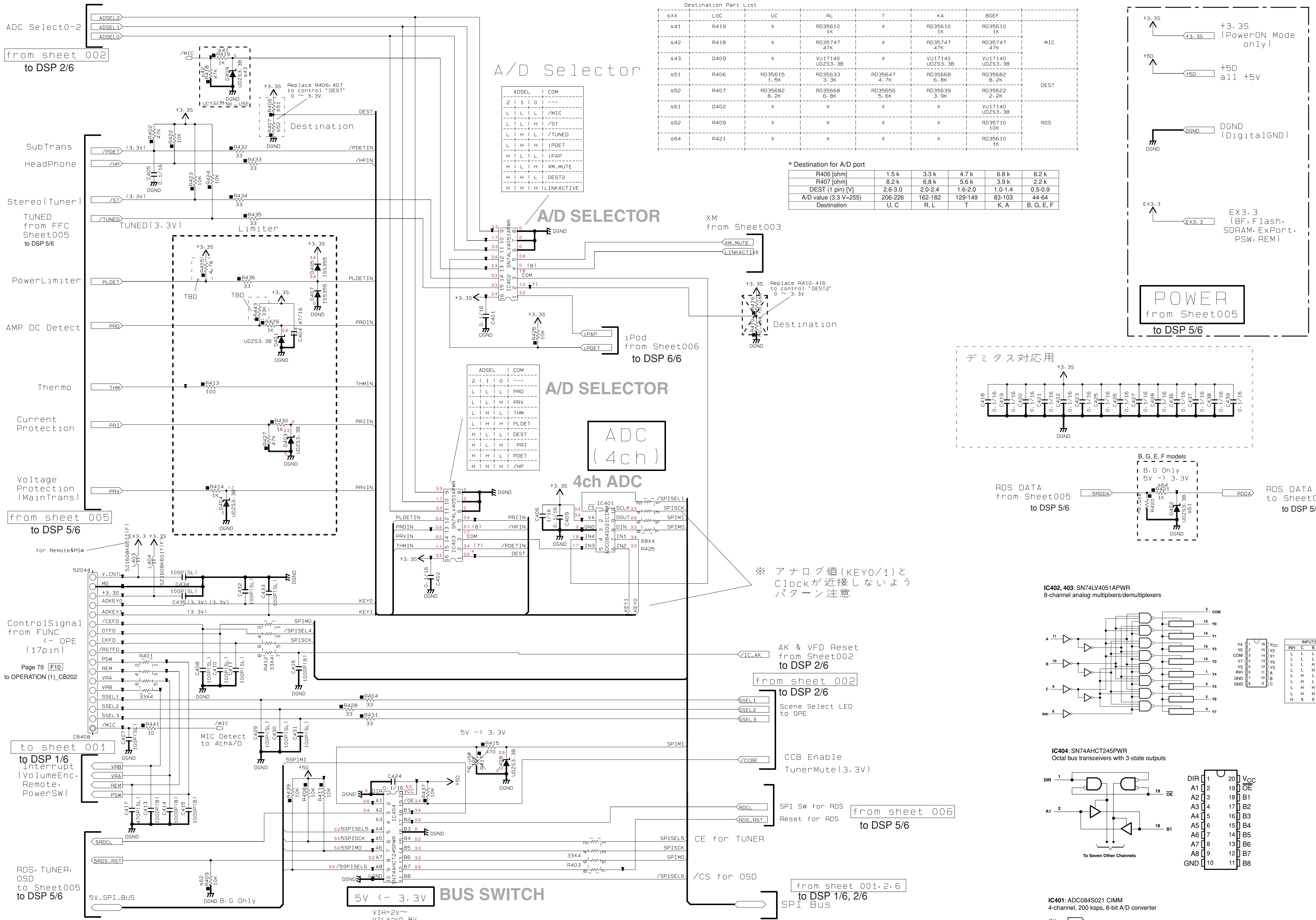
REMARKS	PARTS NAME
⊗	TANTALUM CAPACITOR
○	ELECTROLYTIC CAPACITOR
□	CERAMIC CAPACITOR
●	CERAMIC TUBULAR CAPACITOR
⊙	POLYESTER FILM CAPACITOR
⊖	POLYSTYRENE FILM CAPACITOR
Ⓜ	MICA CAPACITOR
Ⓢ	POLYPROPYLENE FILM CAPACITOR
Ⓣ	SEMICONDUCTIVE CERAMIC CAPACITOR
Ⓤ	POLYPHENYLENE SULFIDE FILM CAPACITOR

NOTICE (mode1)

- (J)..... JAPAN
- (U)..... U.S.A
- (C)..... CANADA
- (R)..... GENERAL
- (I)..... CHINA
- (K)..... KOREA
- (A)..... AUSTRALIA
- (B)..... BRITISH
- (G)..... EUROPE
- (L)..... SINGAPORE
- (E)..... SOUTH EUROPE
- (V)..... TAIWAN
- (F)..... RUSSIAN

* All voltages are measured with a 10MΩ/V DC electronic voltmeter.
 * Components having special characteristics are marked ! and must be replaced with parts having specifications equal to those originally installed.
 * Schematic diagram is subject to change without notice.

DSP 4/6

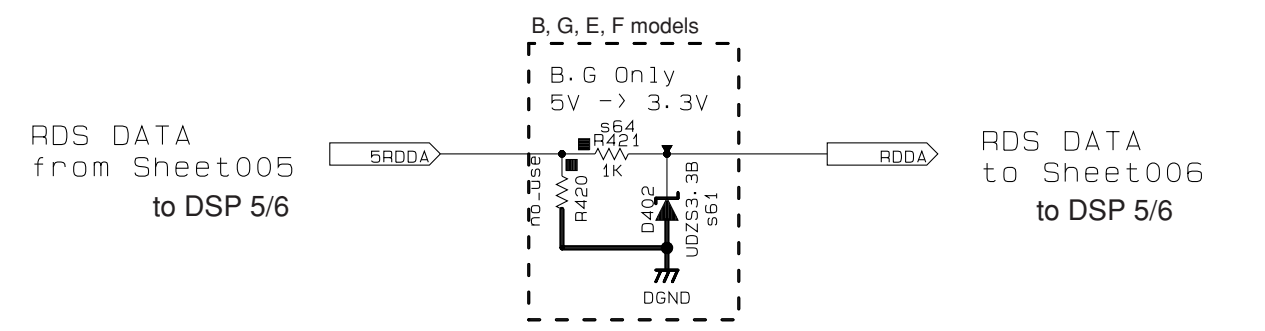
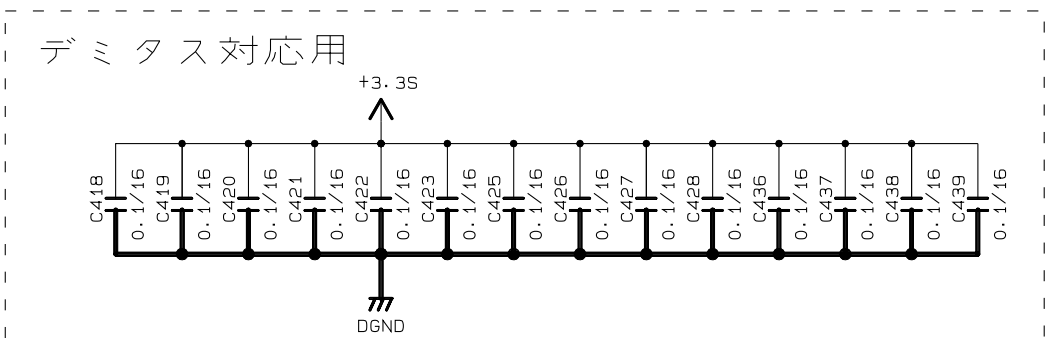
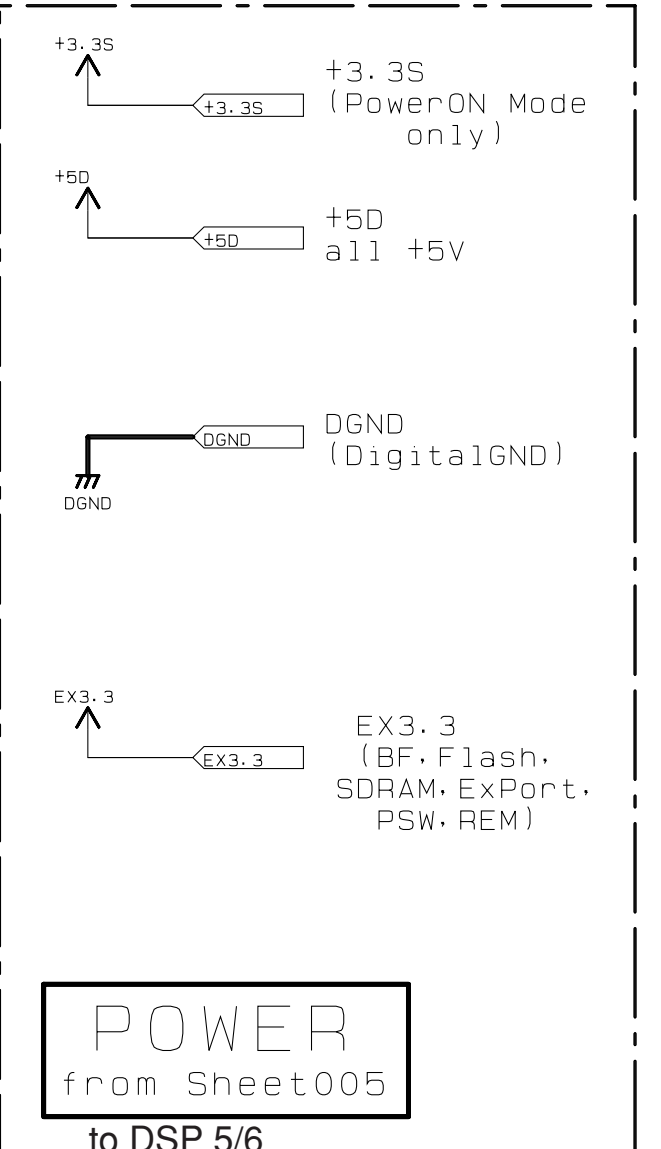


Destination Part List

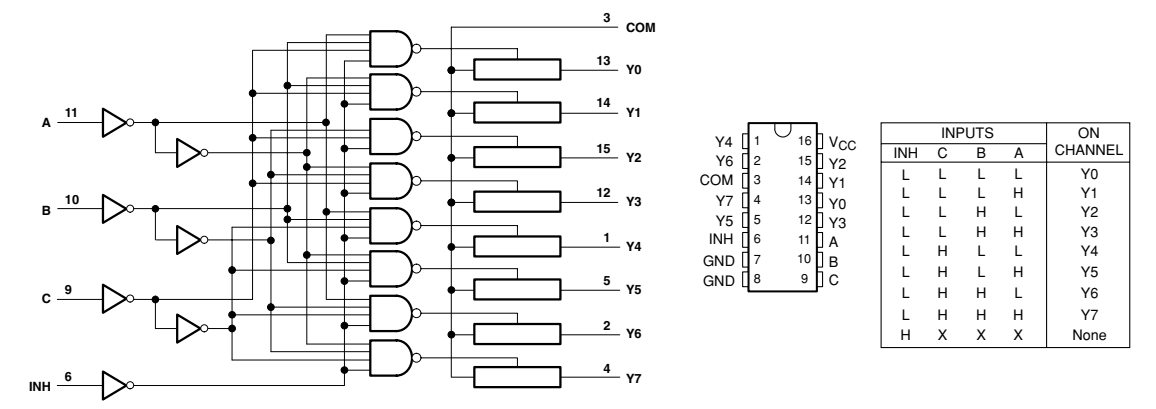
SXX	LOC	UC	RL	T	KA	BGEF	
s41	R419	X	RD35610 1K	X	RD35610 1K	RD35610 1K	
s42	R418	X	RD35747 47K	X	RD35747 47K	RD35747 47K	MIC
s43	D409	X	VU17140 UOZ53.3B	X	VU17140 UOZ53.3B	VU17140 UOZ53.3B	
s51	R406		RD35615 1.5K		RD35647 4.7K	RD35668 6.8K	DEST
s52	R407		RD35682 8.2K		RD35656 5.6K	RD35639 3.9K	
s51	D402	X	X	X	X	X	
s62	R409	X	X	X	X	RD35710 10K	RDS
s64	R421	X	X	X	X	RD35610 1K	

* Destination for A/D port

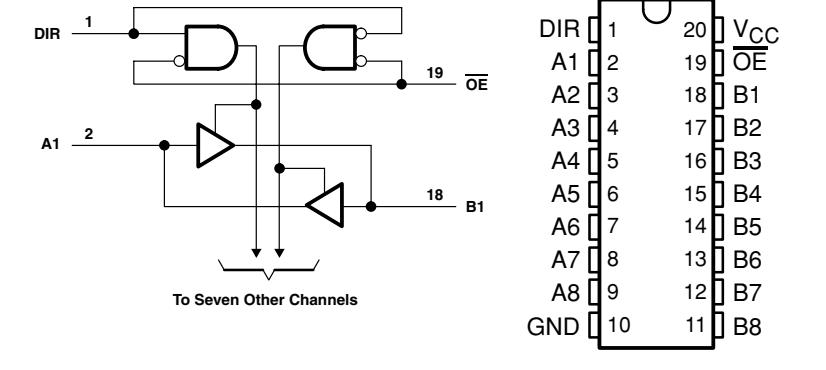
R406 (ohm)	1.5k	3.3k	4.7k	6.8k	8.2k
R407 (ohm)	8.2k	6.8k	5.6k	3.9k	2.2k
DEST (1 pin[V])	2.6-3.0	2.0-2.4	1.6-2.0	1.0-1.4	0.5-0.9
A/D value (3.3V=255)	206-226	162-182	129-149	83-103	44-64
Destination	U, C	R, L	T	K, A	B, G, E, F



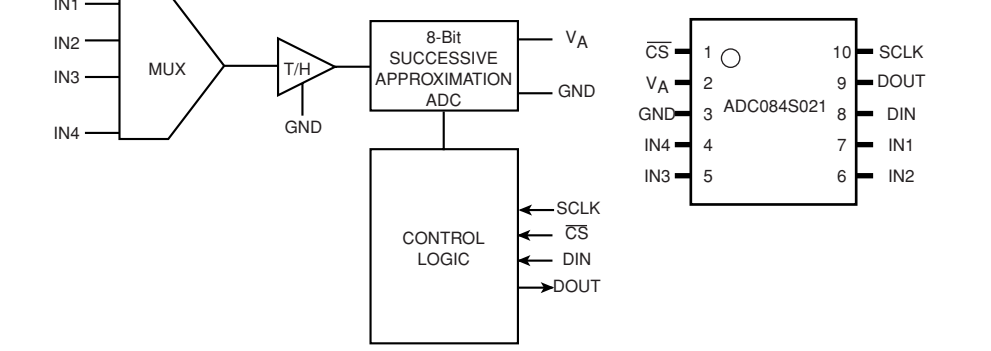
IC402, 403: SN74LV4051APWR 8-channel analog multiplexers/demultiplexers



IC404: SN74AHCT245PWR Octal bus transceivers with 3-state outputs



IC401: ADC084S021 CIMM 4-channel, 200 ksps, 8-bit A/D converter



RESISTOR

REMARKS	PARTS_NAME
NO MARK	CARBON FILM RESISTOR (P=5)
□	CARBON FILM RESISTOR (P=10)
△	METAL OXIDE FILM RESISTOR
▲	METAL FILM RESISTOR
□	METAL PLATE RESISTOR
□	FINE PROF CARBON FILM RESISTOR
□	CEMENT MOLDED RESISTOR
□	SEM1 VARIABLE RESISTOR
■	CHIP RESISTOR

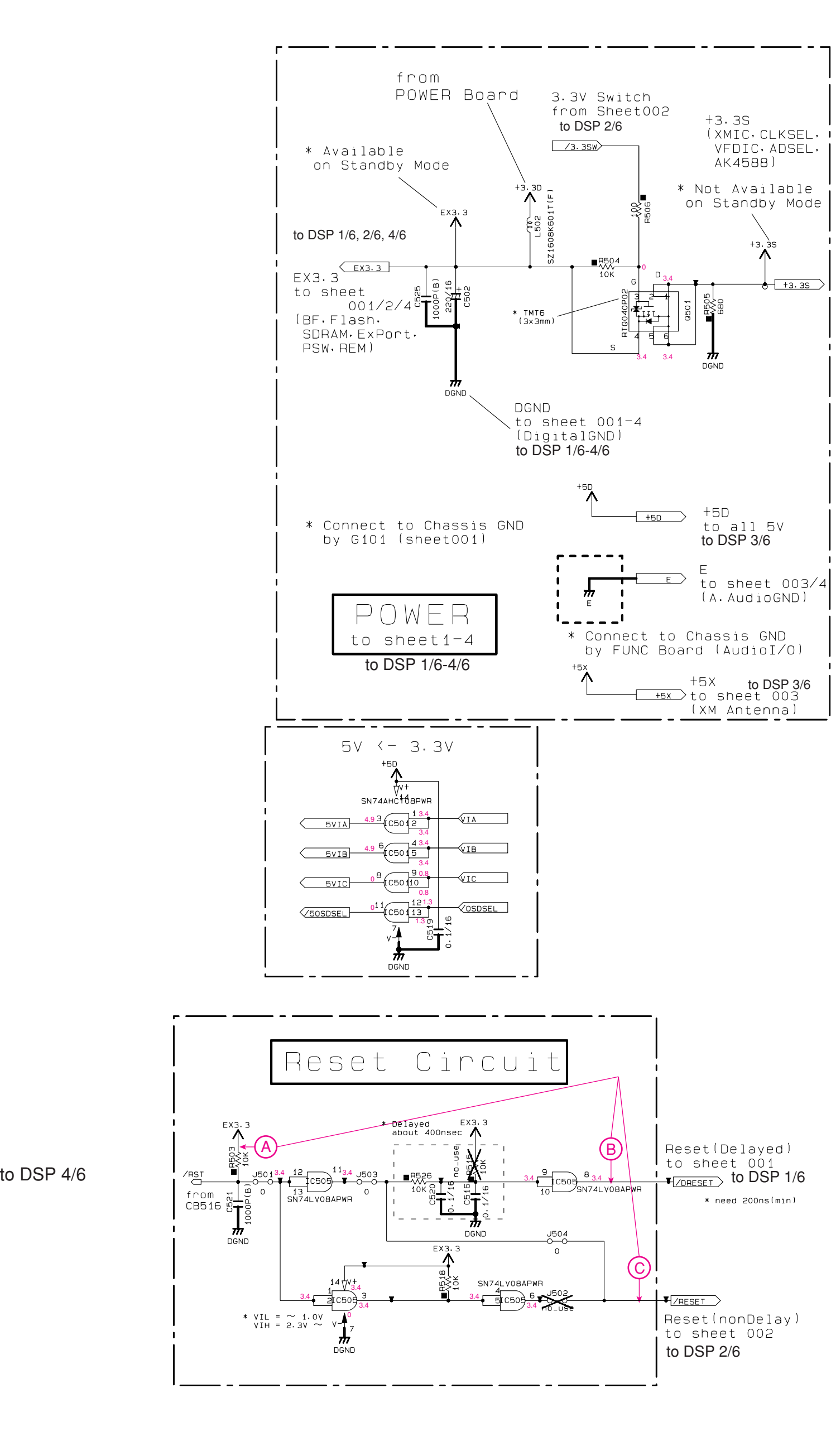
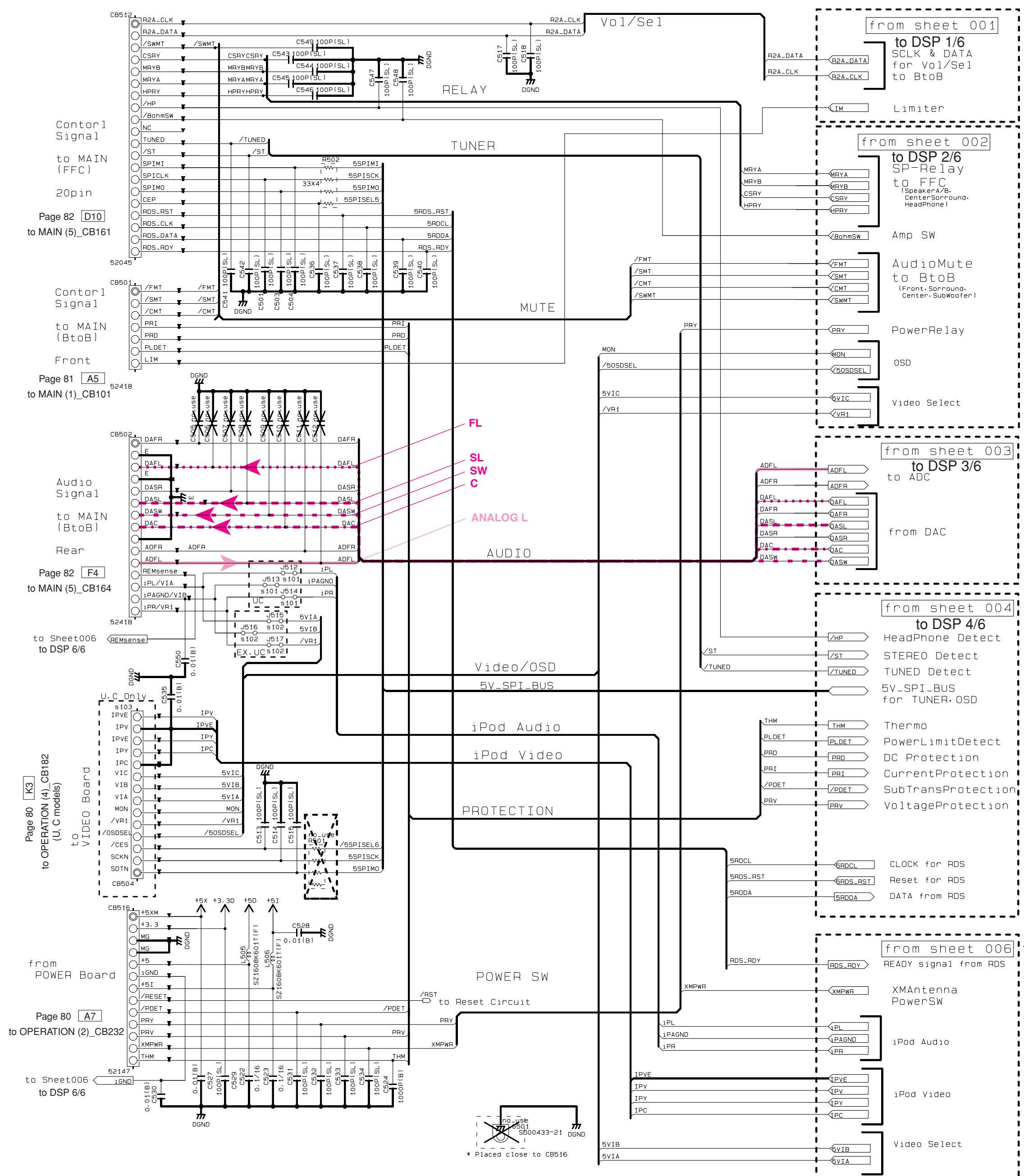
CAPACITOR

REMARKS	PARTS_NAME
NO MARK	ELECTROLYTIC CAPACITOR
⊗	TANTALUM CAPACITOR
NO MARK	CERAMIC CAPACITOR
⊙	CERAMIC TUBULAR CAPACITOR
△	POLYESTER FILM CAPACITOR
▲	POLYSTYRENE FILM CAPACITOR
□	MICA CAPACITOR
⊙	POLYPROPYLENE FILM CAPACITOR
⊙	SEMICONDUCTIVE CERAMIC CAPACITOR
⊙	POLYPHENYLENE SULFIDE FILM CAPACITOR

NOIICE (mode1)
 (J)..... JAPAN
 (U)..... U.S.A
 (C)..... CANADA
 (R)..... GENERAL
 (T)..... CHINA
 (K)..... KOREA
 (A)..... AUSTRALIA
 (B)..... BRITISH
 (G)..... EUROPE
 (L)..... SINGAPORE
 (E)..... SOUTH EUROPE
 (V)..... TAIWAN
 (F)..... RUSSIAN

* All voltages are measured with a 10MΩ/V DC electronic voltmeter.
 * Components having special characteristics are marked ! and must be replaced with parts having specifications equal to those originally installed.
 * Schematic diagram is subject to change without notice.

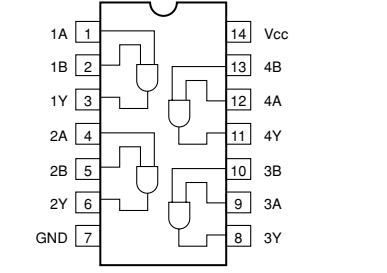
DSP 5/6



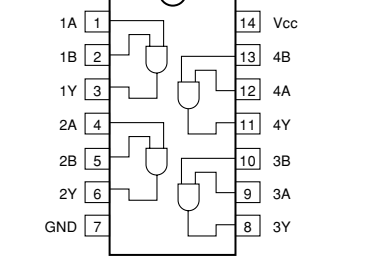
Destination Part List

sxx	LOC	UC	RL	T	KA	BOEF
s101	J514	RD35000	X	X	X	X
	J512	0				
	J513	0				
s102	J517	X	RD35000	0	RD35000	0
	J518	0				
	J519	0				
s103	CB504	VN39490	X	X	X	X
		52045				

IC501: SN74AHCT08PWR
Quaduple 2-input positive-AND gates



IC505: SN74LV08APWR
Quaduple 2-input positive-AND gate



RESISTOR

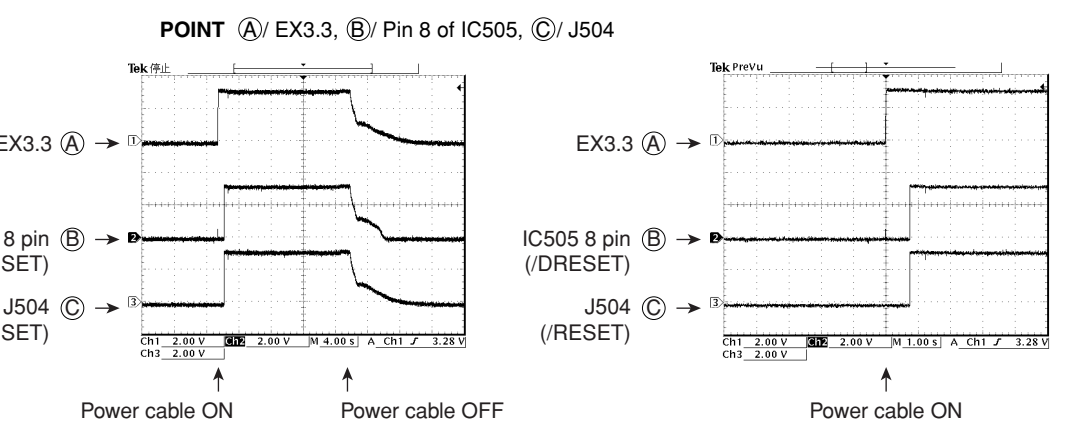
REMARKS	PARTS NAME
NO MARK	CARBON FILM RESISTOR (P=5)
Z	CARBON FILM RESISTOR (P=10)
A	METAL OXIDE FILM RESISTOR
Δ	METAL FILM RESISTOR
□	METAL PLATE RESISTOR
⊞	FIRE PROOF CARBON FILM RESISTOR
⊞	CEMENT MOLDED RESISTOR
⊞	SEMI VARIABLE RESISTOR
■	CHIP RESISTOR

CAPACITOR

REMARKS	PARTS NAME
NO MARK	ELECTROLYTIC CAPACITOR
⊗	TANTALUM CAPACITOR
NO MARK	CERAMIC CAPACITOR
⊙	CERAMIC TUBULAR CAPACITOR
⊙	POLYESTER FILM CAPACITOR
⊙	POLYSTYRENE FILM CAPACITOR
⊙	MICA CAPACITOR
⊙	POLYPROPYLENE FILM CAPACITOR
⊙	SEMICONDUCTIVE CERAMIC CAPACITOR
⊙	POLYPHENYLENE SULFIDE FILM CAPACITOR

NOTICE (model)

(J)..... JAPAN
(U)..... U.S.A
(C)..... CANADA
(R)..... GENERAL
(T)..... CHINA
(K)..... KOREA
(A)..... AUSTRALIA
(B)..... BRITISH
(G)..... EUROPE
(L)..... SINGAPORE
(E)..... SOUTH EUROPE
(V)..... TAIWAN
(F)..... RUSSIAN



* All voltages are measured with a 10MΩ/V DC electronic voltmeter.
* Components having special characteristics are marked ! and must be replaced with parts having specifications equal to those originally installed.
* Schematic diagram is subject to change without notice.

OPERATION 1/2

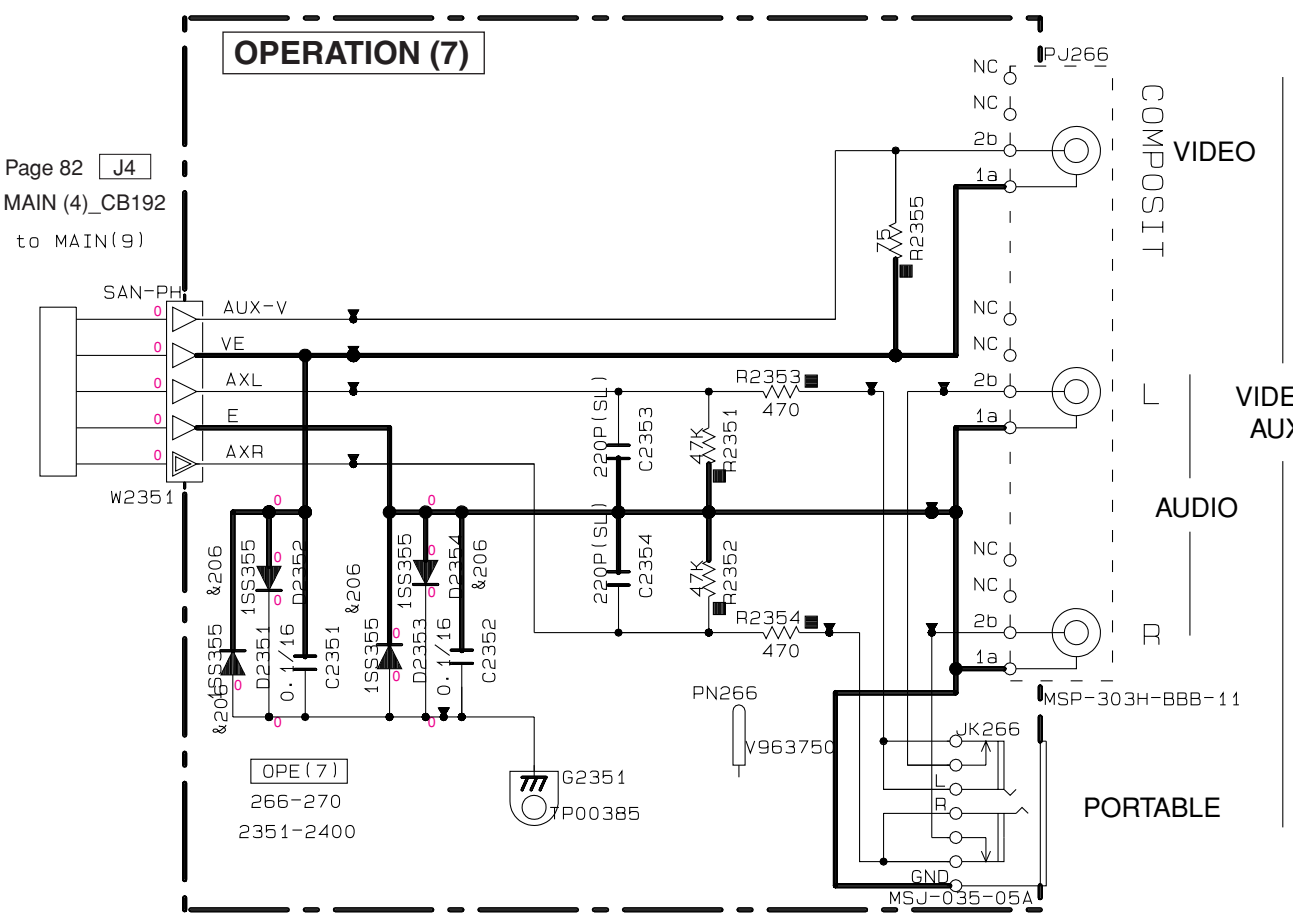
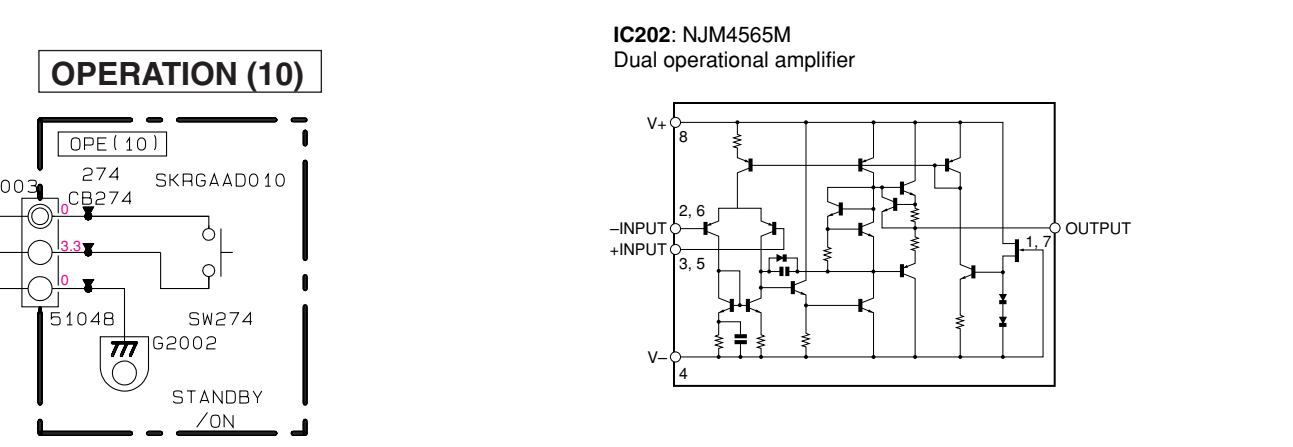
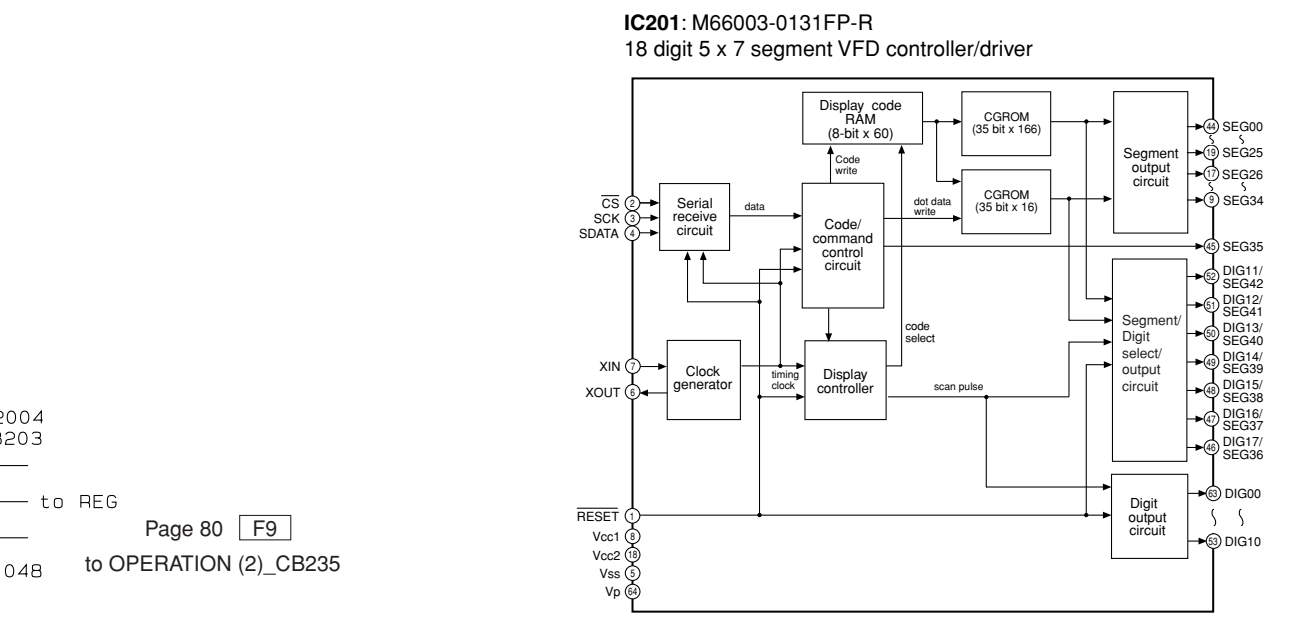
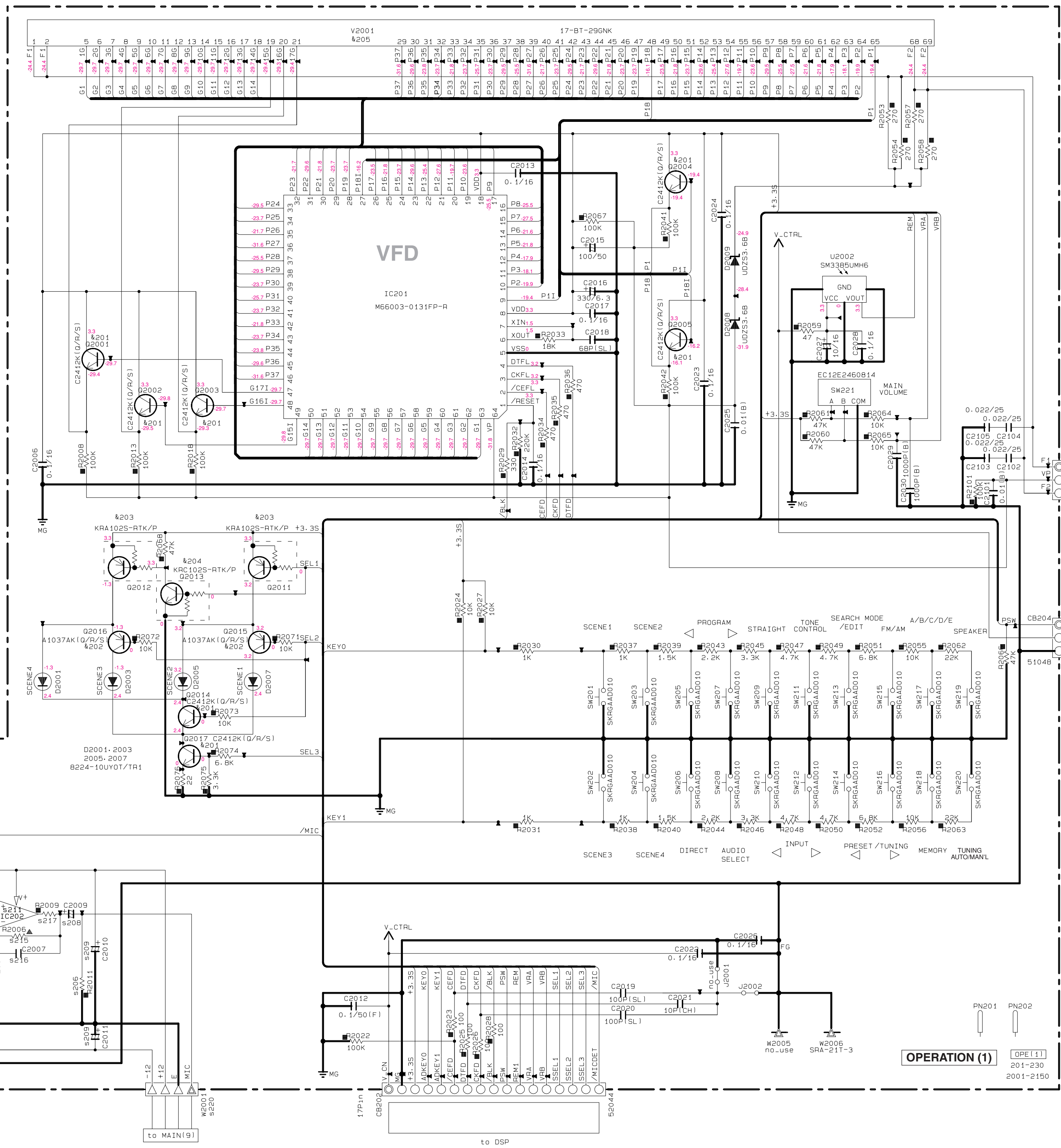
REMARKS	PARTS NAME
NO MARK	CARBON FILM RESISTOR (P=5)
☑	CARBON FILM RESISTOR (P=10)
△	METAL OXIDE FILM RESISTOR
▲	METAL FILM RESISTOR
⊗	METAL PLATE RESISTOR
⊠	FIRE PROOF CARBON FILM RESISTOR
□	CEMENT MOLDED RESISTOR
⊕	SEMI VARIABLE RESISTOR
■	CHIP RESISTOR

REMARKS	PARTS NAME
NO MARK	ELECTROLYTIC CAPACITOR
⊗	TANTALUM CAPACITOR
NO MARK	CERAMIC CAPACITOR
●	CERAMIC TUBULAR CAPACITOR
◎	POLYESTER FILM CAPACITOR
○	POLYSTYRENE FILM CAPACITOR
⊖	POLYPROPYLENE FILM CAPACITOR
⊕	SEMICONDUCTIVE CERAMIC CAPACITOR
⊙	POLYPHENYLENE SULFIDE FILM CAPACITOR

Interchangeable Parts at Manufacture-Stage

Mark	Reference Parts Number	Parts Name
Ⓚ201	02001-2005-2014-2017	25C2412K10/R/S 25D0601ARL/ABL10/R/S K1C38755-Y-GR-RTK/P
Ⓚ202	02015-2016	25A1037AK10/R/S KTA1504S-Y-GR-RTK/P
Ⓚ203	02011-2012	DTA114EKA KRA102S-RTK/P
Ⓚ204	Q2013	DTC114EKA KRC102S-RTK/P
Ⓚ205	V2001	17-B1-29GNK HNA-17MM04T
Ⓚ206	Q2004-2006-2302-2303 Q2351-2354	1SS355 MA111

NOTICE (mode1)
 (J)..... JAPAN
 (U)..... U.S.A
 (C)..... CANADA
 (R)..... GENERAL
 (T)..... CHINA
 (K)..... KOREA
 (A)..... AUSTRALIA
 (B)..... BRITISH
 (G)..... EUROPE
 (L)..... SINGAPORE
 (E)..... SOUTH EUROPE
 (V)..... TAIWAN
 (F)..... RUSSIAN



Page 81 [I4] to MAIN (1)_W103

Page 80 [F9] to OPERATION (2)_CB235

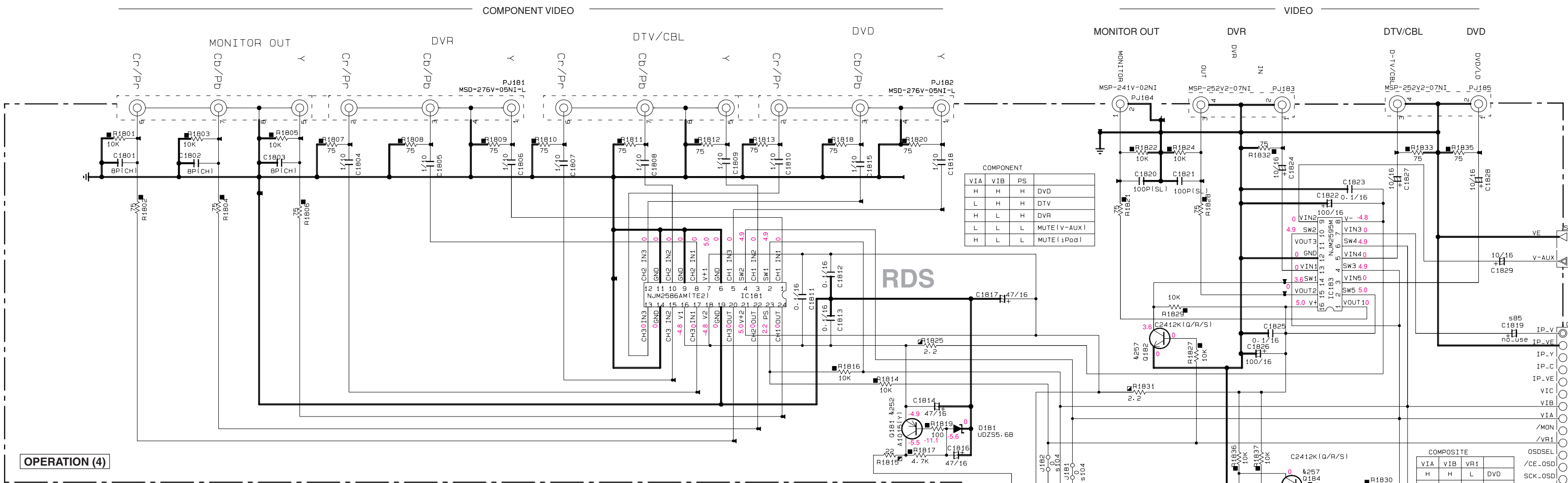
Page 82 [J4] to MAIN (4)_CB192

Page 82 [I4] to MAIN (4)_CB191 (R, K, A, B, G, E, F, L models)

Page 76 [C7] to DSP_CB408

* All voltages are measured with a 10MΩ/V DC electronic voltmeter.
 * Components having special characteristics are marked with a triangle (▲) and must be replaced with parts having specifications equal to those originally installed.
 * Schematic diagram is subject to change without notice.

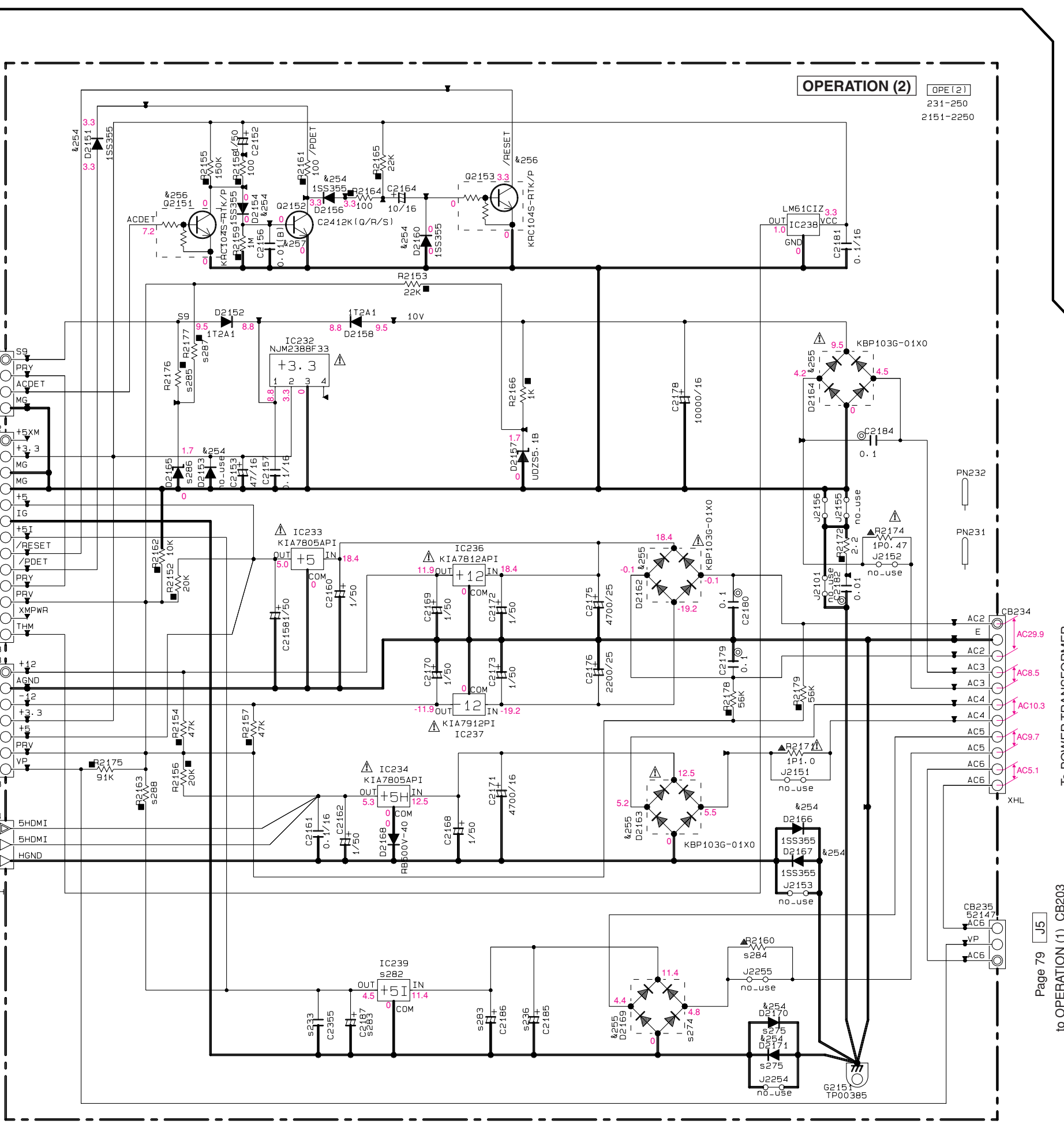
OPERATION 2/2



VIA	V1B	PS	DVD
H	H	H	DTV
L	L	L	DTV
L	L	L	MUTE(Y-AUX)
L	L	L	MUTE(L-Pod)

Page 82 J4 to MAIN (4) CB193

Page 77 A6 to DSP CB504 (U, C models)

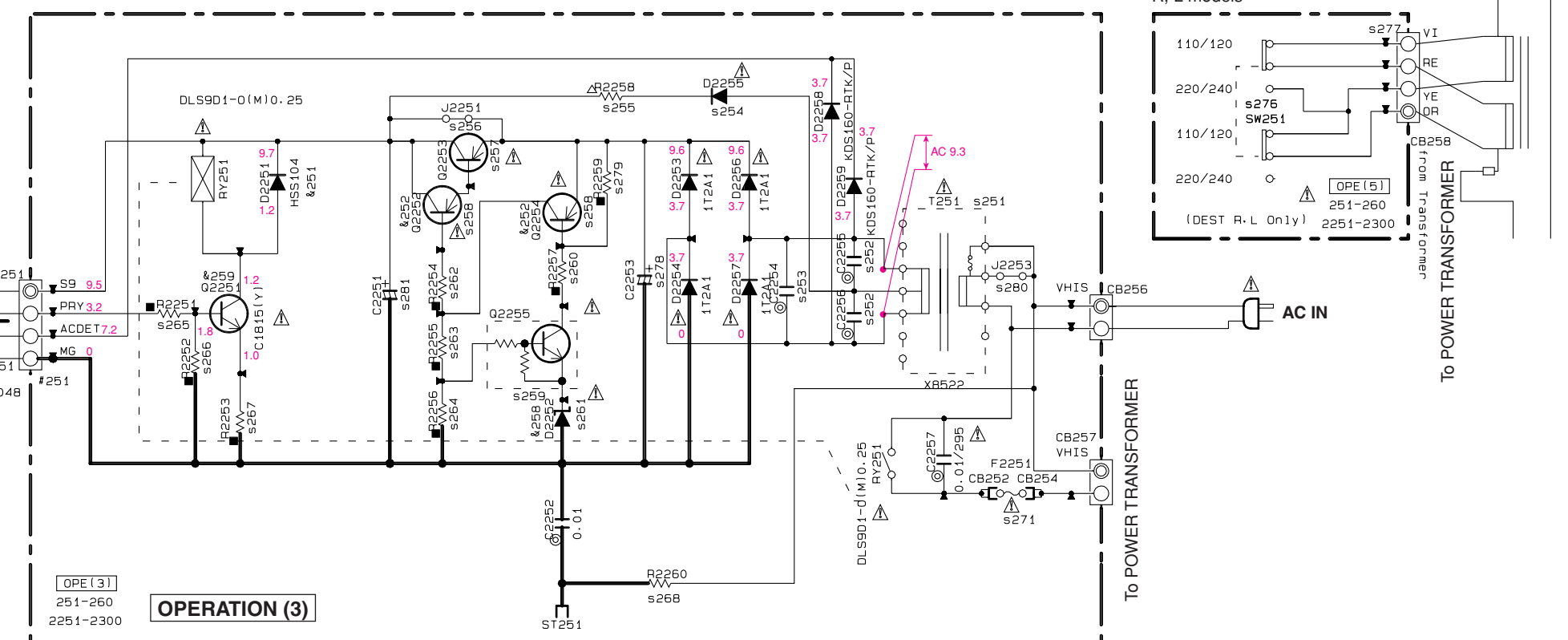


Page 77 E7 to DSP CB516

Page 81 E6 to MAIN (1) CB103

Page 83 E6 to HDMI CB905

Page 79 J5 to OPERATION (1) CB203



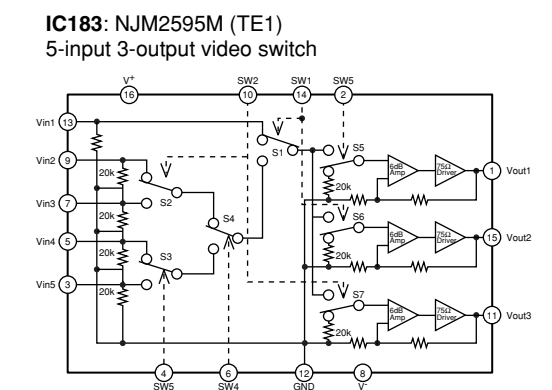
REMARKS	PARTS NAME
NO MARK	CARBON FILM RESISTOR (P=5)
□	CARBON FILM RESISTOR (P=10)
△	METAL OXIDE FILM RESISTOR
◇	METAL FILM RESISTOR
⊠	METAL PLATE RESISTOR
⊞	FIRE PROOF CARBON FILM RESISTOR
⊞	CEMENT MOLDED RESISTOR
⊞	SEMI VARIABLE RESISTOR
⊞	CHIP RESISTOR

REMARKS	PARTS NAME
NO MARK	ELECTROLYTIC CAPACITOR
⊞	TANTALUM CAPACITOR
NO MARK	CERAMIC CAPACITOR
⊞	CERAMIC TUBULAR CAPACITOR
⊞	POLYESTER FILM CAPACITOR
⊞	POLYSTYRENE FILM CAPACITOR
⊞	MICA CAPACITOR
⊞	POLYPROPYLENE FILM CAPACITOR
⊞	SEMICONDUCTIVE CERAMIC CAPACITOR

Mark	Reference Parts Number	Parts Name
4251	D2251	HSS104
		ISS133
		ISS176
4252	0181-2252-2254	2S410151V1
		KTA12661V1
		2S410151V
4254	Q2151-2154-2156-2160	ISS355
	2166-2167-2170-2171	MA111
4255	D2162-2164-2169	KBP1036-01X0
		RS103
4256	Q2151-2153	DT144EXA
		KRC1045-RTK/P
4257	0182-184-2152	MT2J4-7A
		GD2J4-7A
4258	D2252	MT2J4-7A
		GD2J4-7A
4259	Q2251	2SC18151V1
		K1C318B
		2SC1815Y

NOTICE (model)

(J)..... JAPAN
 (U)..... U.S.A
 (R)..... CANADA
 (G)..... GENERAL
 (T)..... CHINA
 (K)..... KOREA
 (A)..... AUSTRALIA
 (B)..... BRITISH
 (G)..... EUROPE
 (L)..... SINGAPORE
 (E)..... SOUTH EUROPE
 (V)..... TAIWAN
 (F)..... RUSSIAN

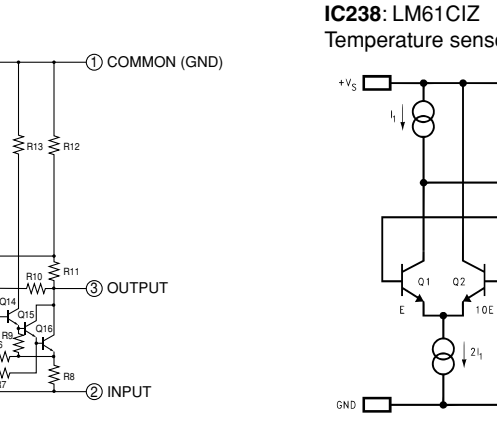
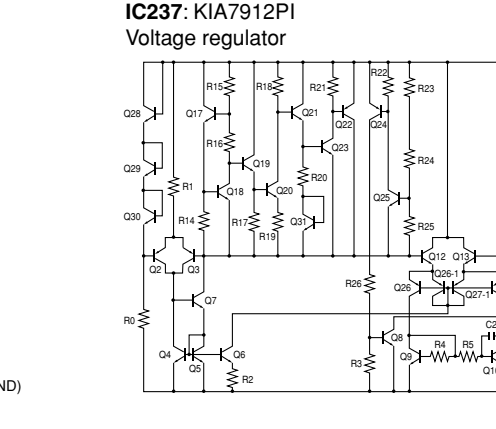
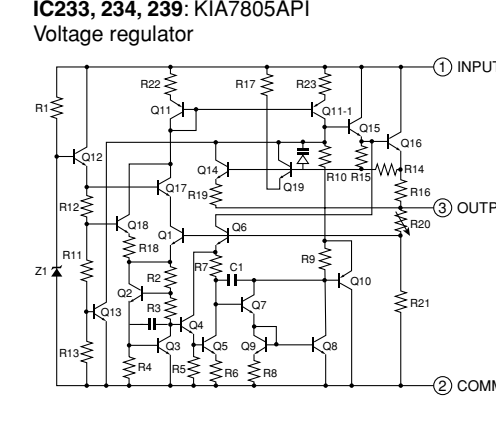
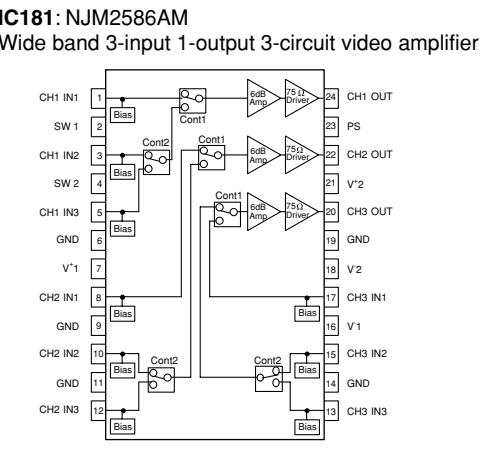
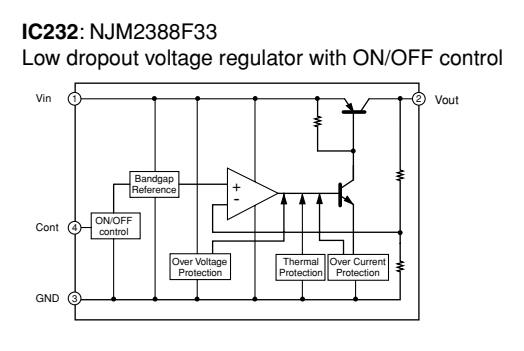
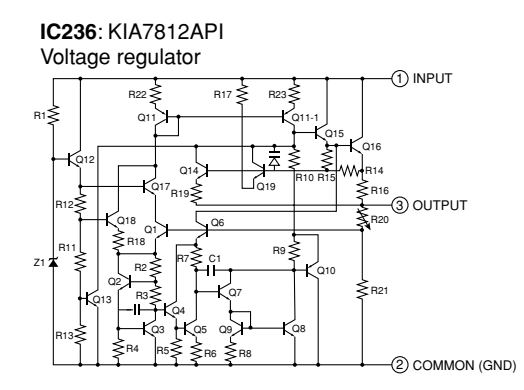


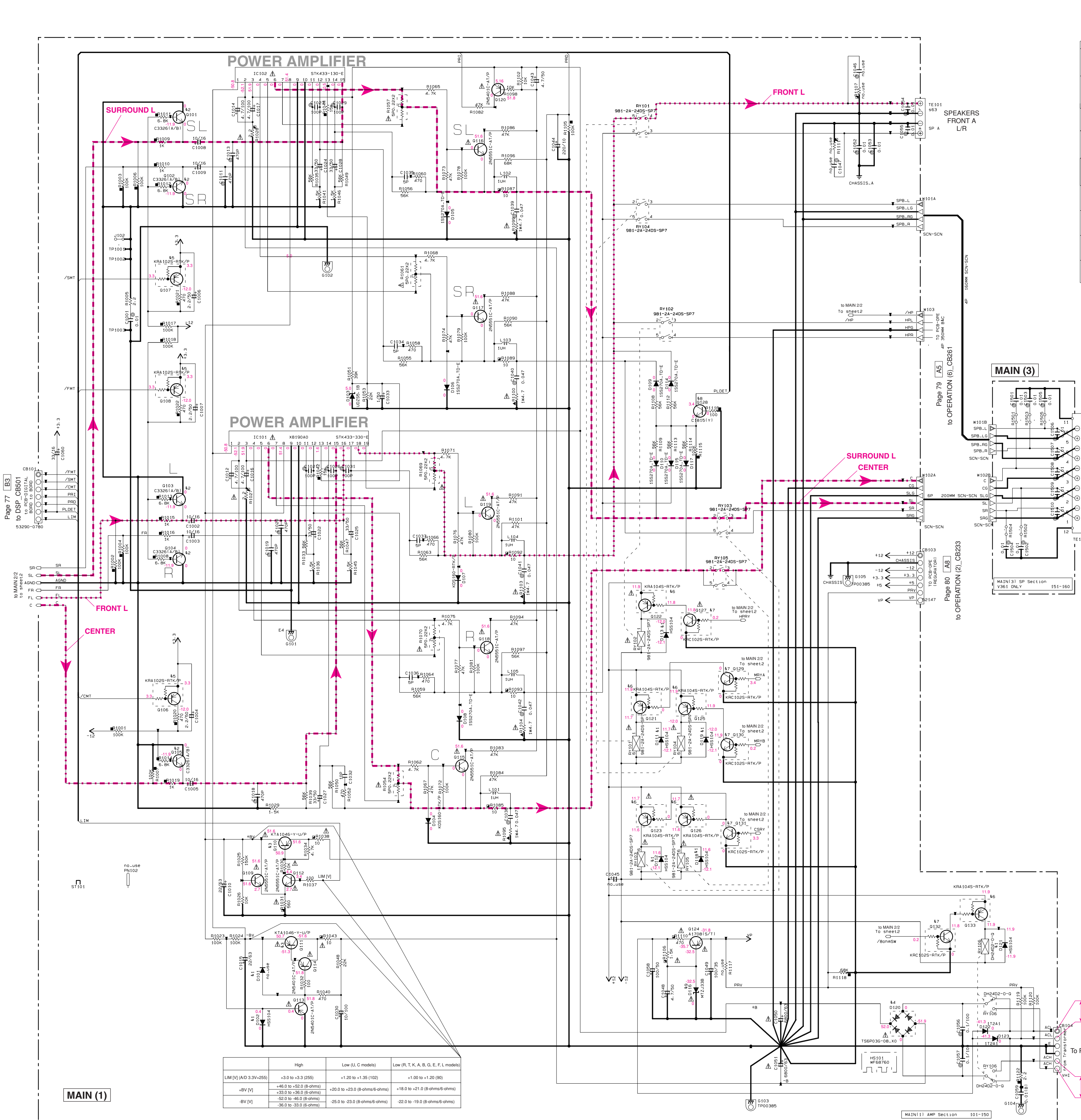
* All voltages are measured with a 10MΩ/V DC electronic voltmeter.
 * Components having special characteristics are marked with a triangle and must be replaced with parts having specifications equal to those originally installed.
 * Schematic diagram is subject to change without notice.

SXX	LOC	UC	RL	T	KABEF
985	C1819	UR83710 10/16	X	X	X
9103	CB182	VF98220 22/16	X	X	X
9104	J181	RD35000 0	RD35000 0	RD35000 0	
9201	JK201	X	MSJ-2800C-AG	X	MSJ-2800C-AG
9202	C2002	X	US06310 100P/181	X	US06310 100P/181
9203	R2010	X	RD35610 1K	X	RD35610 1K
9204	R2007	X	RD35647 4.7K	X	RD35647 4.7K
9205	D2006	X	V133290 1S355	X	V133290 1S355
9206	R2005	X	RD35810 100K	X	RD35810 100K
9207	C2001	X	US06410 0.01181	X	US06410 0.01181
9208	C2003	X	UM39710 10/16	X	UM39710 10/16
9209	C2008	X	UM39722 22/16	X	UM39722 22/16
9210	R2002	X	RD35522 470	X	RD35522 470
9211	IC202	X	V133290 NLM466M	X	V133290 NLM466M
9212	C2004	X	US06210 100P/181	X	US06210 100P/181
9213	R2004	X	RF35647 470	X	RF35647 470
9214	C2005	X	UM39747 47/6.3	X	UM39747 47/6.3
9215	R2006	X	RF35712 12K	X	RF35712 12K

SXX	LOC	UC	RL	T	KABEF
9216	C2007	X	US06133 33P/181	X	US06133 33P/181
9217	R2009	X	RD35682 8.2K	X	RD35682 8.2K
9220	W2001	X	MF40410	X	MF40410
9233	C2355	U513510 0.1/16	X	X	X
9236	C2185	UR73947 4700/16	X	X	X
9251	T251	X852140 X8521	X852340 X8523	X852340 X8523	
9252	C2256	X	WJ60500 0.01	X	X
9253	C2254	WJ60500 0.01	X	WJ60500 0.01	WJ60500 0.01
9254	D2255	X	V999780 11241	X	X
9255	R2258	X	V75790 2P47	X	X
9256	J2251	VNS0000	X	VNS0000	VNS0000
9257	D2253	X	UR97260 A170815/11	X	X
9258	D2252	X	I10151 I10151V1	X	X
9259	D2255	X	KRC103M-1/P	X	X
9260	R2257	X	RD35747 47K	X	X
9261	D2252	X	V643700 WZ14-7A	X	X
9262	R2254	X	RD35610 1K	X	X
9263	R2255	X	RD35722 22K	X	X
9264	R2256	X	RD35647 4.7K	X	X

SXX	LOC	UC	RL	T	KABEF
9265	R2251	RD35647 4.7K	RD35610 1K	RD35647 4.7K	RD35647 4.7K
9266	R2252	RD35810 100K	RD35647 470	RD35810 100K	RD35810 100K
9267	R2253	RD35433 33	RD35368 6.8	RD35447 47	RD35447 47
9268	R2260	V673000 1/2R2-2M	X	X	X
9271	F2251	W93310 15AL250V	VV07170 T3-15AL250V	VV07170 T3-15AL250V	
9274	D2169	W4510	X	X	X
9275	D2171	VT33290 1S355	X	X	X
9276	SK251	X	V207550 SL14-224MF	X	X
9277	CB258	X	Y93790 84P75-VH	X	X
9278	C2253	X	UR87110 10/100	X	X
9279	R2259	X	RD35810 100K	X	X
9280	J2253	VNS0000	X	VNS0000	VNS0000
9281	C2251	UR74922 2200/25	UR75922 2200/25	UR74922 2200/25	UR74922 2200/25
9282	IC239	X452840 KIA7805API	X	X	X
9283	C2187	UR86510 1/50	X	X	X
9284	R2160	WJ68240 1P1-0	X	X	X
9285	R2176	X	RD35610 1K	RD35610 1K	RD35610 1K
9286	D2165	X	VU17190 UOZ55-1B	VU17190 UOZ55-1B	VU17190 UOZ55-1B
9287	R2177	X	RD35722 22K	RD35722 22K	RD35722 22K
9288	R2163	RD35720 20K	X	X	X
9289	D2002	X	VU17190 UOZ55-1B	X	VU17190 UOZ55-1B





Interchangeable Parts at Manufacture-Stage

Mark	Reference Parts Number	Parts Name
41	D102-111-113 118-119-121	H55104 1S5133 1S5176
42	G101-105	2SC3361A/B1 2SC3361B1 2SC9981A/B1 2SD1938F1S/F1 2SD2794K
43	G10-111	2SR1274I/F1 2SR1665E/F1 KT41046-Y-U/D
44	D120	T56P030-08-X0 R5603M-B-C-J80
45	G106-108	KRA102S-RTK/P DTA114EXA
46	G121-123-125-126-133	KRA104S-RTK/P DTA144EXA
47	G127-129-132	KRC102S-RTK/P DTC114EXA
48	G128	2SC18151-1 KTC198B Y-AT
49	D116	HTZJ33B GDZJ33B

REMARKS

REMARKS	PARTS NAME
NO MARK	CARBON FILM RESISTOR (P=5)
□	CARBON FILM RESISTOR (P=10)
△	METAL OXIDE FILM RESISTOR
▲	METAL FILM RESISTOR
■	METAL PLATE RESISTOR
⊠	FIRE PROOF CARBON FILM RESISTOR
⊞	CEMENT MOLDED RESISTOR
⊚	SEMI VARIABLE RESISTOR
⊙	CHIP RESISTOR

NOTICE (mode1)
 (J)..... JAPAN
 (U)..... U.S.A
 (C)..... CANADA
 (R)..... CHINA
 (T)..... GENERAL
 (K)..... KOREA
 (A)..... AUSTRALIA
 (B)..... BRITISH
 (G)..... EUROPE
 (L)..... SINGAPORE
 (E)..... SOUTH EUROPE
 (V)..... TAIWAN
 (F)..... RUSSIAN

REMARKS

REMARKS	PARTS NAME
NO MARK	ELECTROLYTIC CAPACITOR
⊗	TANTALUM CAPACITOR
NO MARK	CERAMIC CAPACITOR
●	POLYESTER FILM CAPACITOR
○	POLYSTYRENE FILM CAPACITOR
⊖	MICA CAPACITOR
⊕	POLYPROPYLENE FILM CAPACITOR
⊙	SEMICONDUCTIVE CERAMIC CAPACITOR
⊚	POLYPHENYLENE SULFIDE FILM CAPACITOR

Page 77 [B3] to DSP CBS01
 BACK TO BOARD
 53290-0780

MAIN (1)

	High	Low (L,C models)	Low (R,T,K,A,B,G,E,F,L models)
LM [V] (A/D 3.3V±25%)	+3.0 to +3.3 (25%)	+1.20 to +1.35 (10%)	+1.00 to +1.20 (5%)
+8V [V]	+46.0 to +52.0 (8-ohms)	+20.0 to +23.0 (8-ohms/6-ohms)	+18.0 to +21.0 (8-ohms/6-ohms)
-8V [V]	+33.0 to +36.0 (6-ohms)	-25.0 to -23.0 (8-ohms/6-ohms)	-22.0 to -19.0 (8-ohms/6-ohms)
-18V [V]	+52.0 to +6.0 (8-ohms)	-25.0 to -23.0 (8-ohms/6-ohms)	-22.0 to -19.0 (8-ohms/6-ohms)

MAIN (3)

FRONT B

FRONT L

CENTER

SURROUND

SURROUND L

CENTER

FRONT R

FRONT L

SURROUND

SURROUND R

FRONT B

FRONT L

CENTER

SURROUND

SURROUND L

CENTER

FRONT R

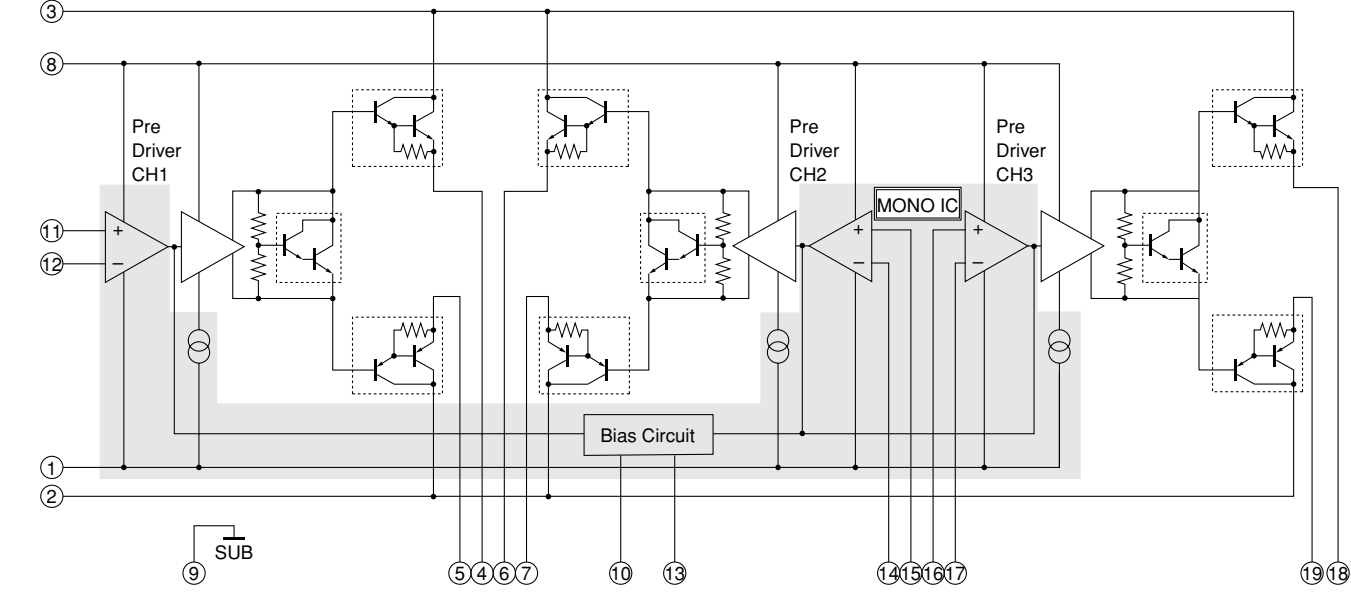
FRONT L

SURROUND

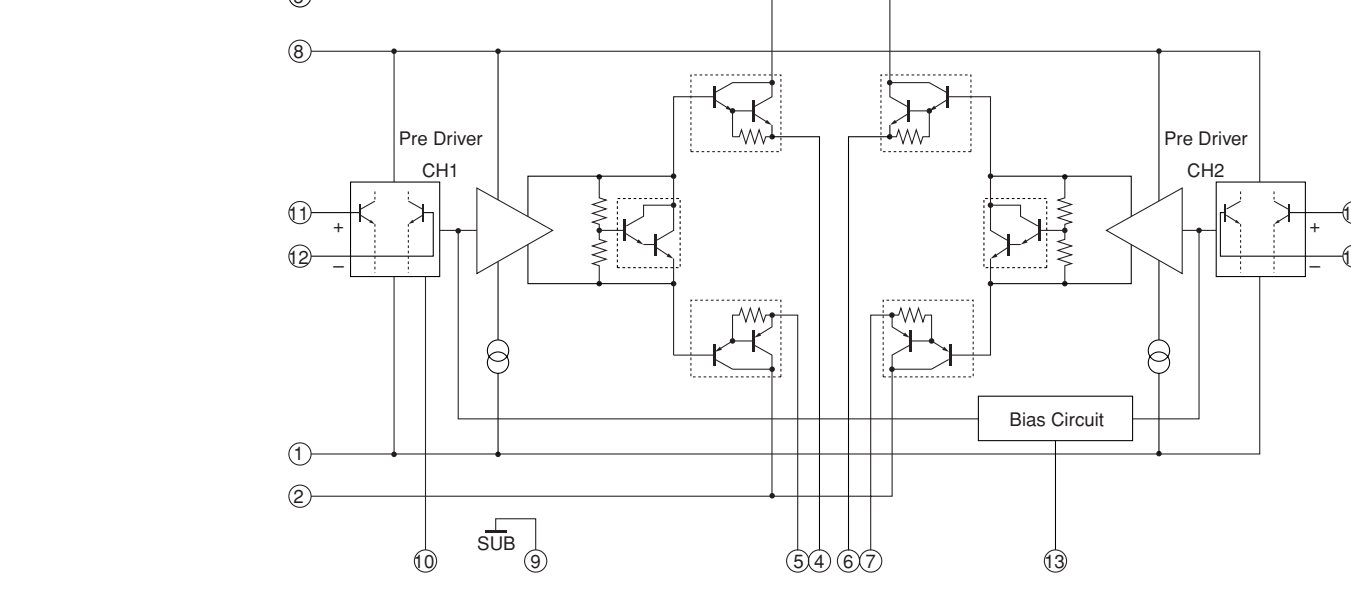
SURROUND R

FRONT B

IC101: STK433-330-E
3-channel AF power amplifier, stand-by circuit built-in

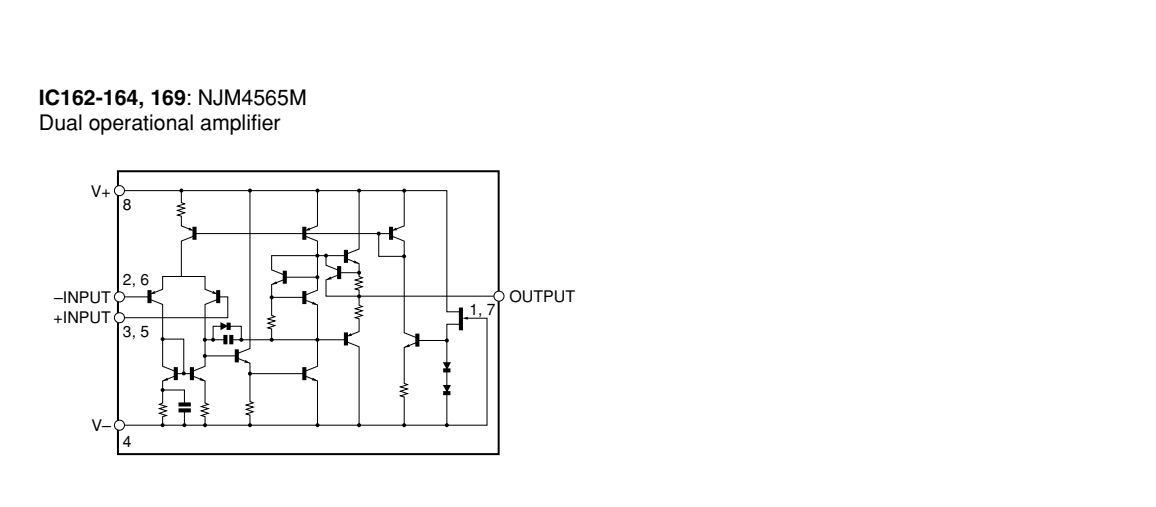
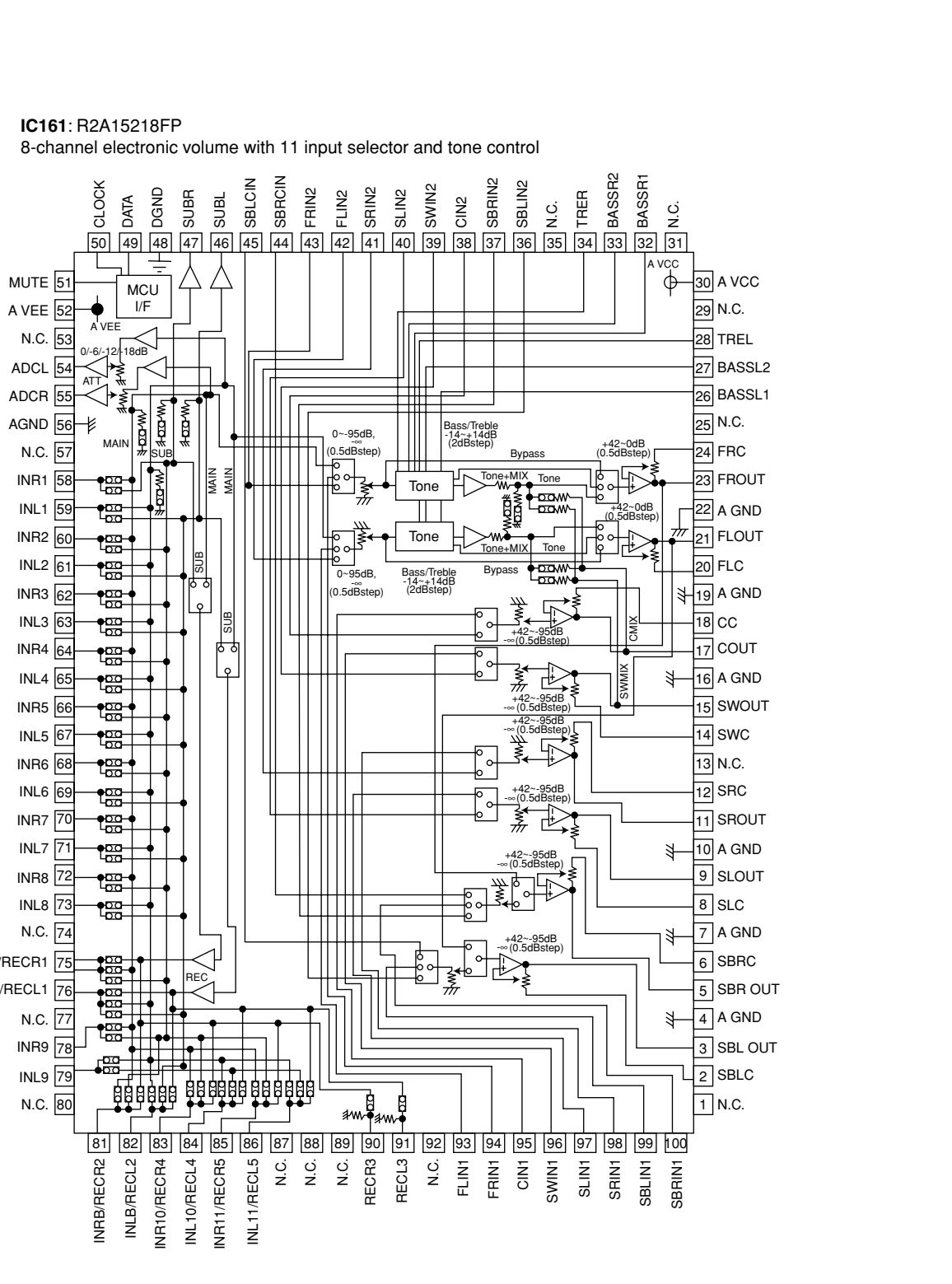
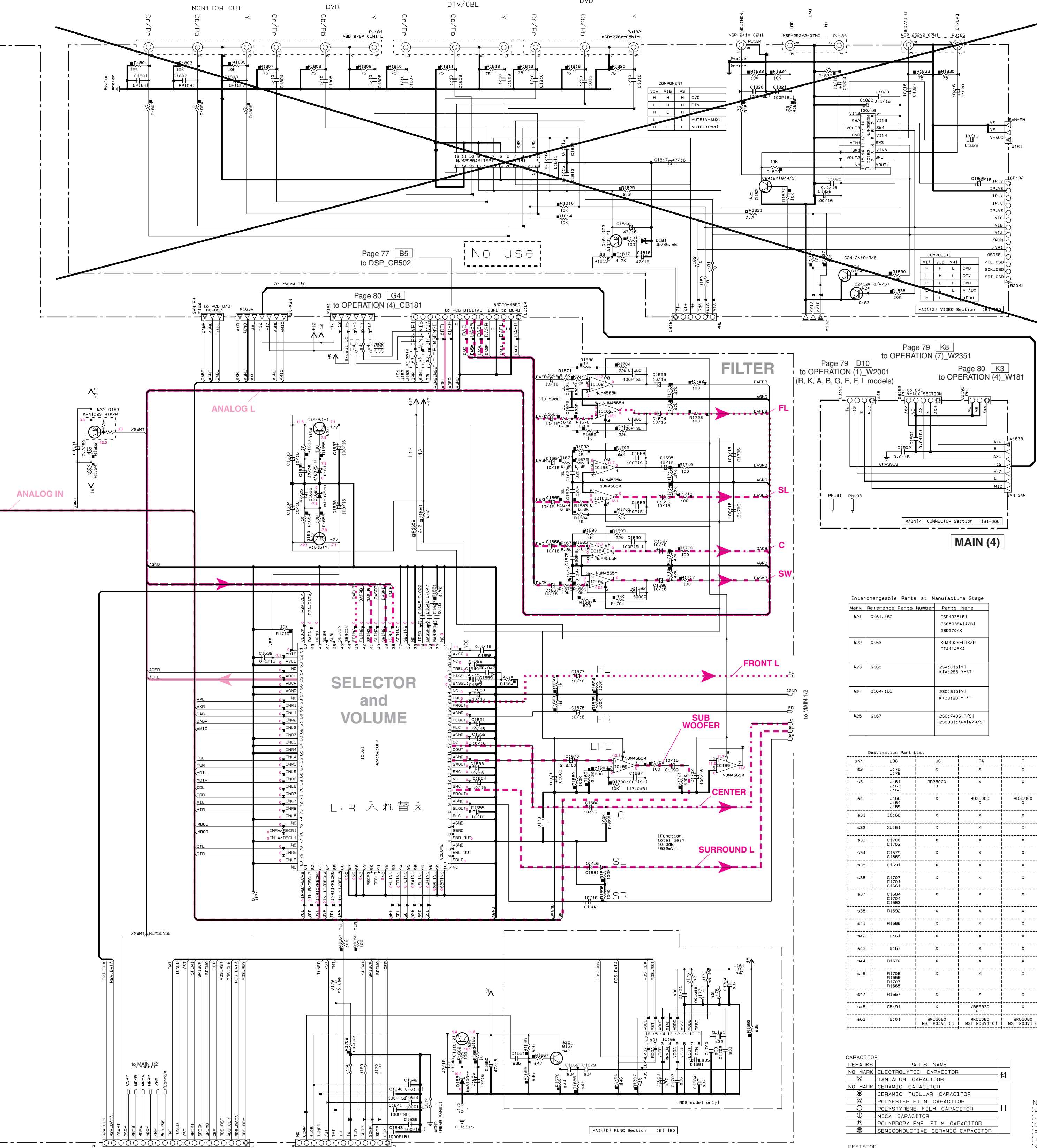
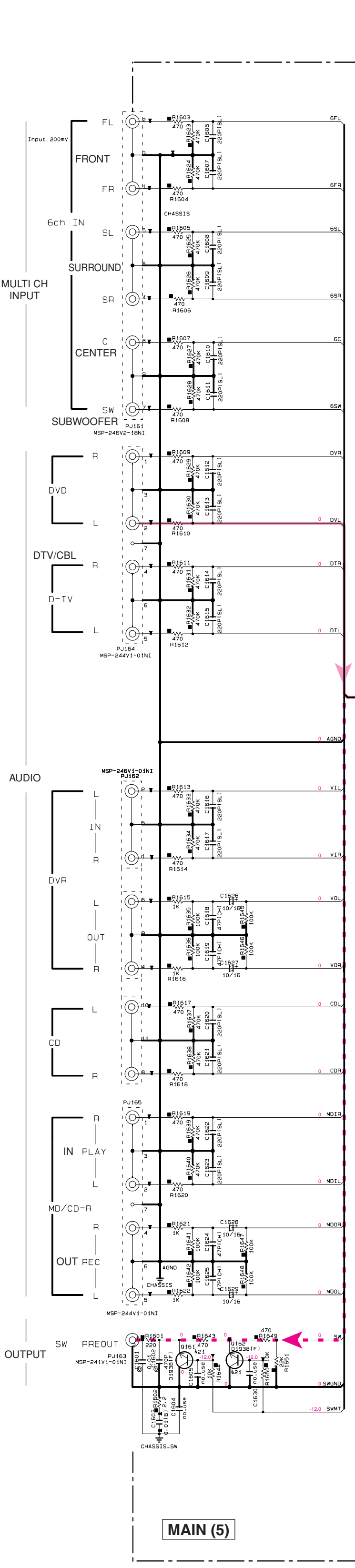


IC102: STK433-130-E
2-channel AF power amplifier, stand-by circuit built-in



★ All voltages are measured with a 10MQ/V DC electronic voltmeter.
 ★ Components having special characteristics are marked !, and must be replaced with parts having specifications equal to those originally installed.
 ★ Schematic diagram is subject to change without notice.

MAIN 2/2



Interchangeable Parts at Manufacture Stage

Mark	Reference Parts Number	Parts Name
421	G161-162	2SD1938(I) 2SC9284(A/B) 2SD1937
422	G163	HA1029-RTK/P DT114EXA
423	G165	2SA1015(I) 2SA1286 V+AT
424	G164-166	2SC1815(I) 2SC1398 V+AT
425	G167	2SC1740(I) 2SC1348(I) 2SC1348(I) 2SC1348(I)

Destination Part List

MARK	LOC	UC	RA	T	NL	REF
42	J75	X	X	X	X	RD9000
43	J161	RD30000	X	X	X	RD9000
44	J162	X	X	X	X	RD9000
45	J163	X	X	X	X	RD9000
46	J164	X	X	X	X	RD9000
47	J165	X	X	X	X	RD9000
48	J166	X	X	X	X	RD9000
49	J167	X	X	X	X	RD9000
50	J168	X	X	X	X	RD9000
51	J169	X	X	X	X	RD9000
52	J170	X	X	X	X	RD9000
53	J171	X	X	X	X	RD9000
54	J172	X	X	X	X	RD9000
55	J173	X	X	X	X	RD9000
56	J174	X	X	X	X	RD9000
57	J175	X	X	X	X	RD9000
58	J176	X	X	X	X	RD9000
59	J177	X	X	X	X	RD9000
60	J178	X	X	X	X	RD9000
61	J179	X	X	X	X	RD9000
62	J180	X	X	X	X	RD9000
63	J181	X	X	X	X	RD9000
64	J182	X	X	X	X	RD9000
65	J183	X	X	X	X	RD9000
66	J184	X	X	X	X	RD9000
67	J185	X	X	X	X	RD9000
68	J186	X	X	X	X	RD9000
69	J187	X	X	X	X	RD9000
70	J188	X	X	X	X	RD9000
71	J189	X	X	X	X	RD9000
72	J190	X	X	X	X	RD9000
73	J191	X	X	X	X	RD9000
74	J192	X	X	X	X	RD9000
75	J193	X	X	X	X	RD9000
76	J194	X	X	X	X	RD9000
77	J195	X	X	X	X	RD9000
78	J196	X	X	X	X	RD9000
79	J197	X	X	X	X	RD9000
80	J198	X	X	X	X	RD9000
81	J199	X	X	X	X	RD9000
82	J200	X	X	X	X	RD9000
83	J201	X	X	X	X	RD9000
84	J202	X	X	X	X	RD9000
85	J203	X	X	X	X	RD9000
86	J204	X	X	X	X	RD9000
87	J205	X	X	X	X	RD9000
88	J206	X	X	X	X	RD9000
89	J207	X	X	X	X	RD9000
90	J208	X	X	X	X	RD9000
91	J209	X	X	X	X	RD9000
92	J210	X	X	X	X	RD9000
93	J211	X	X	X	X	RD9000
94	J212	X	X	X	X	RD9000
95	J213	X	X	X	X	RD9000
96	J214	X	X	X	X	RD9000
97	J215	X	X	X	X	RD9000
98	J216	X	X	X	X	RD9000
99	J217	X	X	X	X	RD9000
100	J218	X	X	X	X	RD9000

CAPACITOR

REMARKS	PARTS NAME
NO MARK	ELECTROLYTIC CAPACITOR
⊗	TANTALUM CAPACITOR
NO MARK	CERAMIC CAPACITOR
⊙	CERAMIC TUBULAR CAPACITOR
⊖	POLYESTER FILM CAPACITOR
○	POLYSTYRENE FILM CAPACITOR
◇	MICA CAPACITOR
⊕	POLYPROPYLENE FILM CAPACITOR
⊗	SEMICONDUCTIVE CERAMIC CAPACITOR

RESISTOR

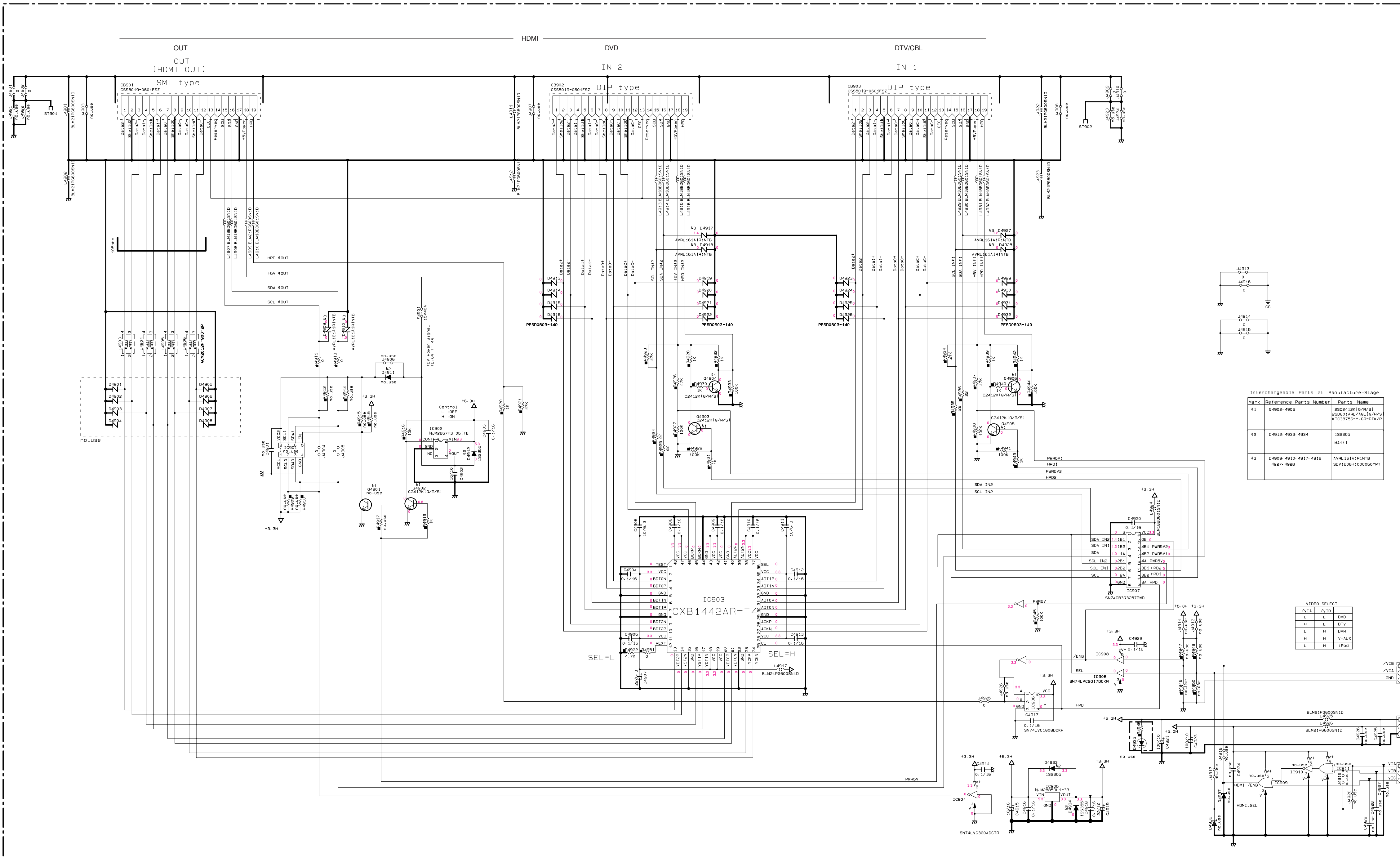
REMARKS	PARTS NAME
NO MARK	CARBON FILM RESISTOR (P=5)
⊗	CARBON FILM RESISTOR (P=10)
⊕	METAL OXIDE FILM RESISTOR
⊖	METAL FILM RESISTOR
⊙	METAL PLATE RESISTOR
⊖	FINE-PROOF CARBON FILM RESISTOR
⊕	CEMENT MOLDED RESISTOR
⊗	SEMI-VARIABLE RESISTOR
⊖	CHIP RESISTOR

NOTICE (model)

(J) JAPAN
 (U) U.S.A
 (C) CANADA
 (R) GENERAL
 (T) CHINA
 (K) KOREA
 (A) AUSTRALIA
 (B) BRITISH
 (G) EUROPE
 (L) SINGAPORE
 (E) SOUTH EUROPE
 (V) TAIWAN
 (F) RUSSIAN

* All voltages are measured with a 10MΩ/V DC electronic voltmeter.
 * Components having special characteristics are marked with a triangle and must be replaced with parts having specifications equal to those originally installed.
 * Schematic diagram is subject to change without notice.

HDMI



Interchangeable Parts at Manufacture-Stage

Mark	Reference Parts Number	Parts Name
41	04902-4906	ESC6412K1G/R/S1 P20604ARL700.1G/R/S1 KTC307505-V-GP-R14/P
42	04912-4933-4934	ISS395 MA111
43	04909-4910-4917-4918 4927-4928	AVL16141R1N7B SDV1609H100C050VPT

VIDEO SELECT

VIA	V1B	BVD
L	L	DTV
H	L	DTV
L	H	DVR
H	H	V-AUX
L	H	1P00

Page 80 14
to OPERATION (4)_W182

Page 80 18
to OPERATION (2)_W2154

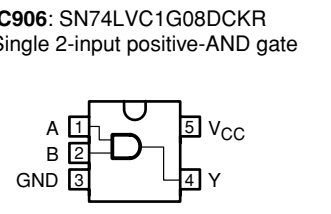
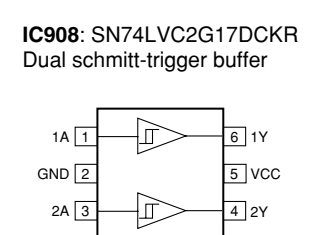
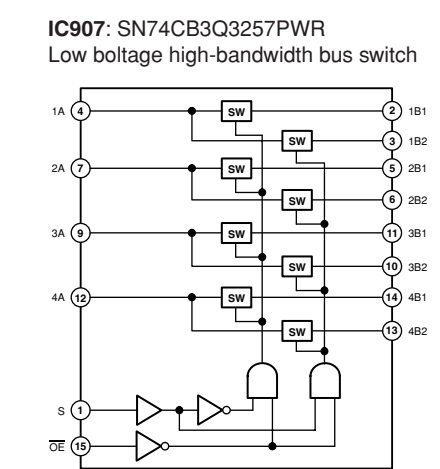
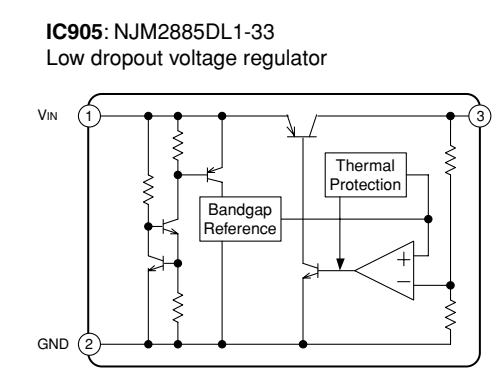
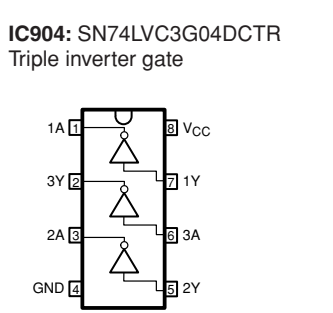
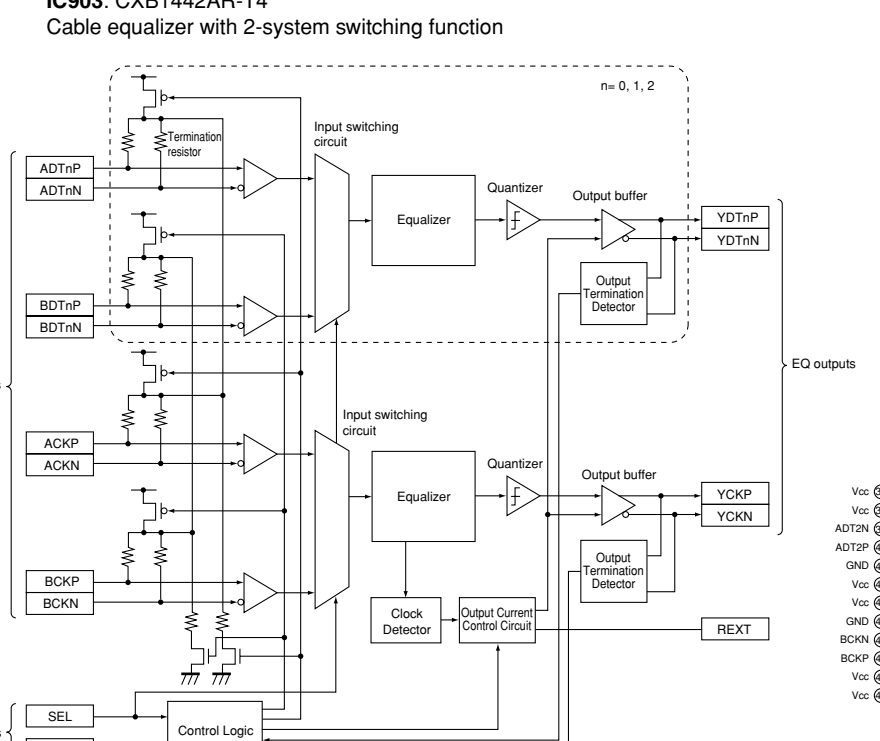
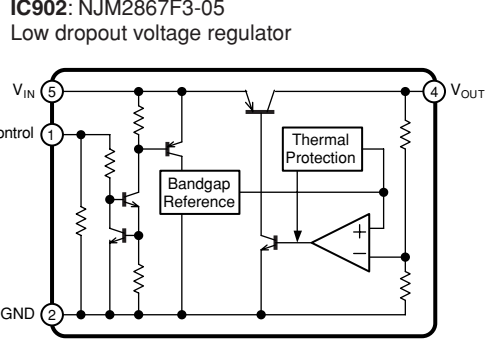
RESISTOR

REMARKS	PARTS NAME
NO MARK	CARBON FILM RESISTOR (P=5)
⊠	CARBON FILM RESISTOR (P=10)
△	METAL OXIDE FILM RESISTOR
▲	METAL FILM RESISTOR
⊞	METAL PLATE RESISTOR
⊞	FIRE-PROOF CARBON FILM RESISTOR
⊞	CEMENT MOLDED RESISTOR
⊞	SEMI-VARIABLE RESISTOR
⊞	CHIP RESISTOR

CAPACITOR

REMARKS	PARTS NAME
NO MARK	ELECTROLYTIC CAPACITOR
⊞	TANTALUM CAPACITOR
⊞	CERAMIC CAPACITOR
⊞	CERAMIC TUBULAR CAPACITOR
⊞	POLYESTER FILM CAPACITOR
⊞	POLYSTYRENE FILM CAPACITOR
⊞	MICA CAPACITOR
⊞	POLYPROPYLENE FILM CAPACITOR
⊞	SEMICONDUCTIVE CERAMIC CAPACITOR
⊞	POLYPHENYLENE SULFIDE FILM CAPACITOR

NOTICE (mode1)
(J)..... JAPAN
(U)..... U.S.A
(C)..... CANADA
(R)..... GENERAL
(T)..... CHINA
(K)..... KOREA
(A)..... AUSTRALIA
(B)..... BRITISH
(G)..... EUROPE
(L)..... SINGAPORE
(E)..... SOUTH EUROPE
(V)..... TAIWAN
(F)..... RUSSIAN



* All voltages are measured with a 10MΩ/V DC electronic voltmeter.
* Components having special characteristics are marked !, and must be replaced with parts having specifications equal to those originally installed.
* Schematic diagram is subject to change without notice.